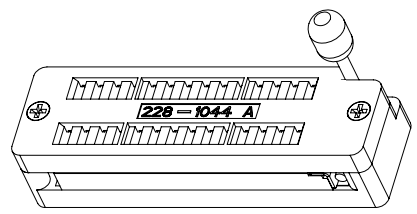
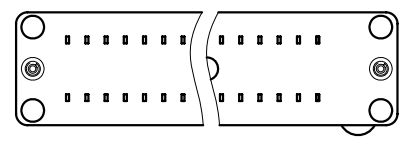
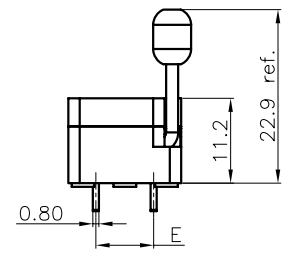
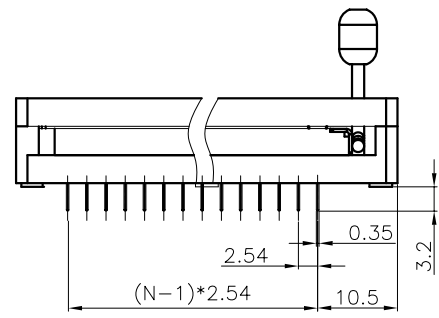


Positions	A	B	C	D	E
14	32.6	28.2			
16	35.1	30.7			
20	40.2	35.8	11.22	14.90	7.62
24	45.3	40.9			
28	50.4	46.0			
32	55.5	51.1			
40	65.6	61.2	18.84	22.52	15.24
48	75.8	71.4			



REV.	DESCRIPTION	DRAWN	CHECKED	APPROVED
A	NEW RELEASE	DMJ 06/07/07'		

- FEATURES
 - Compact mechanical construction to ensure long term life.
 - Zero insertion and extraction pressure.
 - standard 0.100(2.54mm) IC pitch, easy to mount in PC board.
 - All plastics are UL 94v-0 grade fire retardant.
 - Gold plated contact to ensure low contact resistance and long operation life.
- SPECIFICATION
 - ELECTRICAL:
 - Rating: 50VDC, 100mA.
 - Contact Resistance: 50mΩ Max.
 - Insulation Resistance: 1000MΩ Min.
 - Dielectric withstanding voltage: 500VDC min. for 60 seconds. Capacitance between adjacent contacts.
 - MECHANICAL AND ENVIRONMENTAL
 - Temperature Rating:
 - Operating: -25°C to +70°C
 - Storage: -40°C to +85°C
 - Durability: 5,000 cycles (with load)
 - Humidity: 95%RH, 40°C for 48 Hrs.
 - Solderability: After flux 230°C for 5±0.5 Seconds, 95% coverage
 - Soldering Heat: 260±5°C for 5±1 Seconds.

3. PRODUCT NUMBER CODE:
 DS1044 - X X X

- Housing color
 - L: Blue
 - B: Black
 - G: Green
- Contact plating
 - 6: Full Tin
 - F: Full 3u" gold
- No. of contacts
 - 14 16 20 24 28 32 40 48

GENERAL TOLERANCE		ANGLE TOLERANCE		PROJECTION		TITLE	ZIF SOCKET	
X.	±0.60	X.	±5°	UNITS	mm			
.X	±0.38	.X	±3°	SHEET SIZE	A4	SERIES	DS1044 SERIES	
.XX	±0.25	.XX	±2°	 www.allconnectors.eu info@allconnectors.eu Tel. +49 (0)711 / 358 110 20 Fax +49 (0)711 / 358 110 25				
DRAWING TYPE		CUSTOMER						
SCALE	1:1	SHEET	1 OF 1					
DRAWING NO.		C-DS1044-XXX						