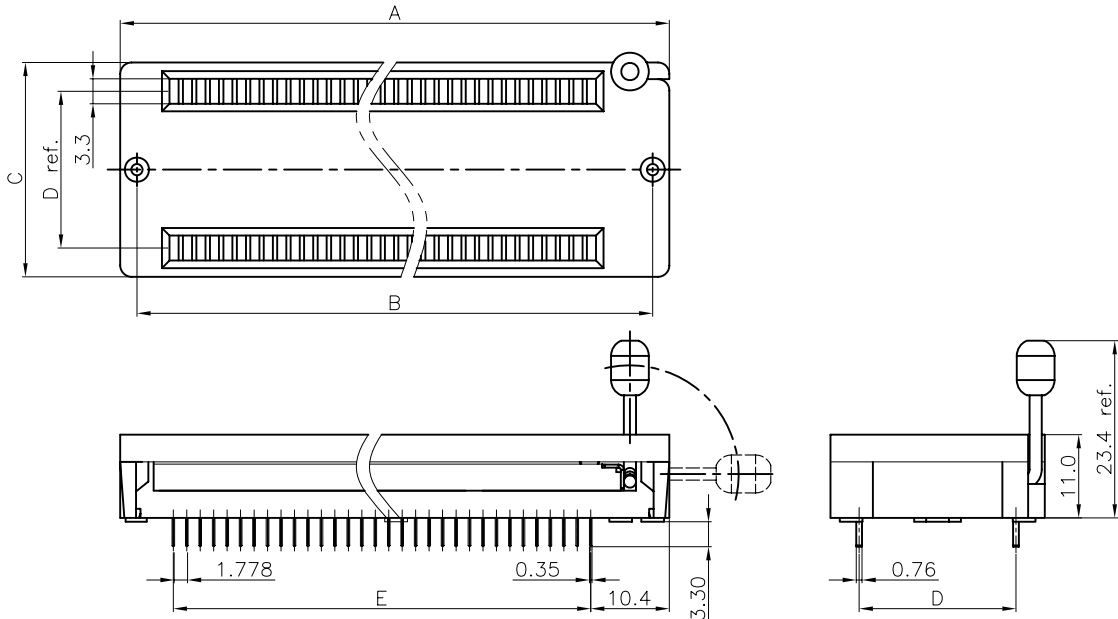


REV.	DESCRIPTION	DRAWN	CHECKED	APPROVED
A	NEW RELEASE	YCH 11/06/09'	~	



N=No. of contacts/2

Contact Quantity	Dimensions				
	A	B	C	D	E
28	40.5	36.1	17.8	10.16	23.14
32	44.0	39.6	17.8	10.16	26.67
42	52.9	48.5	22.9	15.24	35.60
56	65.4	61.0	22.9	15.24	48.01
64	72.5	68.0	28.3	20.70	55.18
90	95.7	91.3	31.3	22.86	78.32

- FEATURES
 - Compact mechanical construction to ensure long term life.
 - Zero insertion and extraction pressure.
 - standard 0.07(1.778mm) IC pitch,easy to mount in PC board.
 - All plastics are UL 94v-0 grade fire retardant.
 - Gold plated contact to ensure low contact resistance and long operation life.
- SPECIFICATION
 - ELECTRICAL:
 - Rating:50VDC,100mA.
 - Contact Resistance: 50mΩ Max.
 - Insulation Resistance:1000MΩ Min.
 - Dielectric withstanding volatage:500VDC min. for 60 seconds.Capacitance between adjacent contacts.
 - MECHANICAL AND ENVIRONMENTAL
 - Temperature Rating:
 - Operating:-25°C to +70°C
 - Storage:-40°C to +85°C
 - Durability:25,000 cycles(with load)
 - Humidity:95%RH,40°C for 48 Hrs.
 - Solderability:After flux 230°C for 5±0.5 Seconds,95% coverage
 - Soldering Heat:260±5°C for 5±1 Seconds.

- PRODUCT NUMBER CODE:
 DS1044-01 - X X X
 - Housing color
 L: Blue
 B: Black
 G: Green
 - Contact plating
 F: Full 3u" gold
 0: Full gold flash
 6: Full Tin
 - No. of contacts
 28 32 42
 56 64 90

GENERAL TOLERANCE	ANGLE TOLERANCE	PROJECTION		TITLE	ZIF SOCKET
X. ±0.60	X. ±5°	UNITS	mm	SHEET SIZE	A4
.X ±0.38	.X ±3°			SERIES	DS1044-01 SERIES
.XX ±0.25	.XX ±2°				
DRAWING TYPE	CUSTOMER	 www.allconnectors.eu info@allconnectors.eu Tel. +49 (0)711 / 358 110 20 Fax +49 (0)711 / 358 110 25			
SCALE	1:1 SHEET 1 OF 1				
DRAWING NO.	C-DS1044-01-XXX				