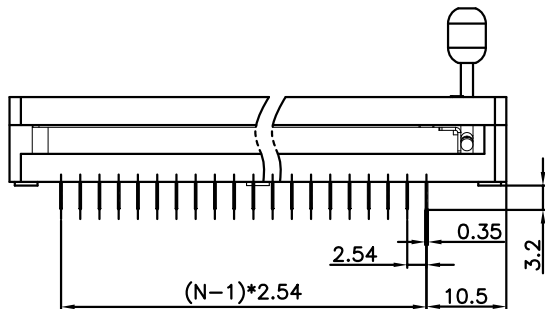
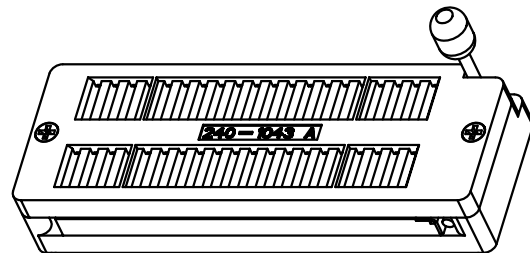
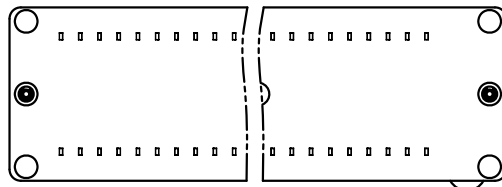
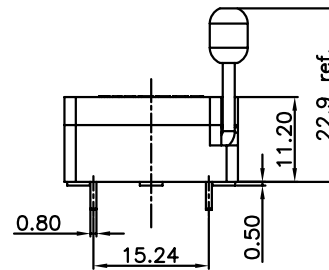


| Positions | A | B |
|-----------|------|------|
| 24 | 45.3 | 40.9 |
| 28 | 50.4 | 46.0 |
| 32 | 55.5 | 51.1 |
| 40 | 65.6 | 61.2 |
| 48 | 75.8 | 71.4 |



N=No. of contacts/2



| REV. | DESCRIPTION | DRAWN | CHECKED | APPROVED |
|------|-------------|---------------|---------|----------|
| A | NEW RELEASE | LJH 05/24/05' | | |
| | | | | |
| | | | | |

1. FEATURES

- 1.1. Compact mechanical construction to ensure long term life.
- 1.2. Zero insertion and extraction pressure.
- 1.3. standard 0.100(2.54mm) IC pitch, easy to mount in PC board.
- 1.4. All plastics are UL 94v-0 grade fire retardant.
- 1.5. Gold plated contact to ensure low contact resistance and long operation life.

2. SPECIFICATION

2.1. ELECTRICAL:

- 2.1.1. Rating:50VDC,100mA.
- 2.1.2. Contact Resistance: 50mΩ Max.
- 2.1.3. Insulation Resistance:1000MΩ Min.
- 2.1.4. Dielectric withstanding volatage:500VDC min. for 60 seconds.Capacitance between adjacent contacts.

2.2. MECHANICAL AND ENVIRONMENTAL

- 2.2.1. Temperature Rating:
- 2.2.2. Operating:-25°C to +70°C
- 2.2.3. Storage:-40°C to +85°C
- 2.2.4. Durability:5,000 cycles(with load)
- 2.2.5. Humidity:95%RH,40°C for 48 Hrs.
- 2.2.6. Solderability:After flux 230°C for 5±0.5 Seconds,95% coverage
- 2.2.7. Soldering Heat:260±5°C for 5±1 Seconds.

3. PRODUCT NUMBER CODE:

DS1043 - X X X

- Housing color
 - L: Blue
 - B: Black
 - G: Green
- Contact plating
 - 6: Full Tin
 - F: Full 3u" gold
- No. of contacts
 - 24 28 32 40 48

| GENERAL TOLERANCE | | ANGLE TOLERANCE | |
|-------------------|--------------|-----------------|--------|
| X. | ±0.60 | X. | ±5° |
| .X | ±0.38 | .X | ±3° |
| .XX | ±0.25 | .XX | ±2° |
| DRAWING TYPE | | CUSTOMER | |
| SCALE | 1:1 | SHEET | 1 OF 1 |
| DRAWING NO. | C-DS1043-XXX | | |

| PROJECTION | TITLE |
|------------|----------------------|
| UNITS | ZIF SOCKET |
| SHEET SIZE | SERIES DS1043 SERIES |

Allconnectors

www.allconnectors.eu | info@allconnectors.eu
Tel. +49 (0)711 / 358 110 20 | Fax +49 (0)711 / 358 110 25