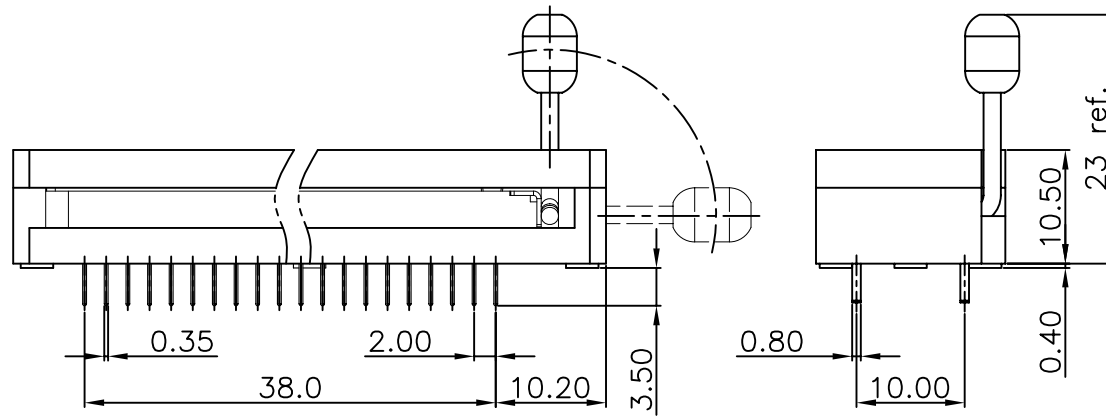
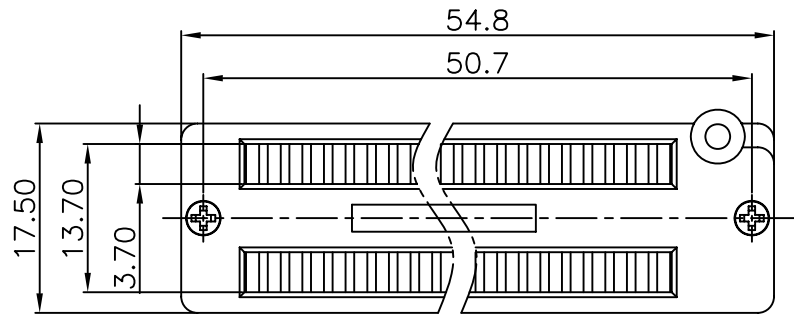


REV.	DESCRIPTION	DRAWN	CHECKED	APPROVED
A	NEW RELEASE	YCH 11/03/09'	~	



N=No. of contacts/2

1. FEATURES

- 1.1. Compact mechanical construction to ensure long term life.
- 1.2. Zero insertion and extraction pressure.
- 1.3. standard 0.079(2.00mm) IC pitch, easy to mount in PC board.
- 1.4. All plastics are UL 94v-0 grade fire retardant.
- 1.5. Gold plated contact to ensure low contact resistance and long operation life.

2. SPECIFICATION

2.1. ELECTRICAL:

- 2.1.1. Rating: 50VDC, 100mA.
- 2.1.2. Contact Resistance: 50mΩ Max.
- 2.1.3. Insulation Resistance: 1000MΩ Min.
- 2.1.4. Dielectric withstanding voltage: 500VDC min. for 60 seconds. Capacitance between adjacent contacts.

2.2. MECHANICAL AND ENVIRONMENTAL

- 2.2.1. Temperature Rating:
- 2.2.2. Operating: -25°C to +70°C
- 2.2.3. Storage: -40°C to +85°C
- 2.2.4. Durability: 25,000 cycles (with load)
- 2.2.5. Humidity: 95%RH, 40°C for 48 Hrs.
- 2.2.6. Solderability: After flux 230°C for 5±0.5 Seconds, 95% coverage
- 2.2.7. Soldering Heat: 260±5°C for 5±1 Seconds.

3. PRODUCT NUMBER CODE:

DS1043-01 - X X X

- X X X — Housing color
 - L: Blue
 - B: Black
 - G: Green
- Contact plating
 - 6: Full Tin
 - F: Full 3u" gold
 - 0: Full gold flash
- No. of contacts
 - 10 16 20
 - 26 34 40

GENERAL TOLERANCE		ANGLE TOLERANCE	
X.	±0.60	X.	±5°
.X	±0.38	.X	±3°
.XX	±0.25	.XX	±2°

DRAWING TYPE	CUSTOMER		
SCALE	1:1	SHEET	1 OF 1
DRAWING NO.	C-DS1043-01-XXX		

PROJECTION		TITLE	ZIF SOCKET
UNITS	mm		
SHEET SIZE	A4	SERIES	DS1043-01 SERIES

Allconnectors

www.allconnectors.eu | info@allconnectors.eu
Tel. +49 (0)711 / 358 110 20 | Fax +49 (0)711 / 358 110 25