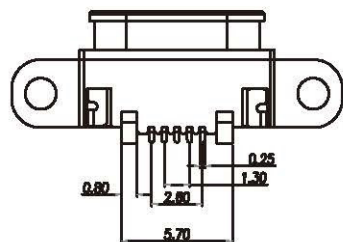
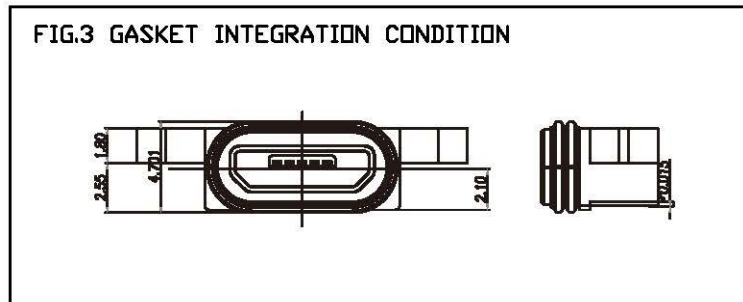
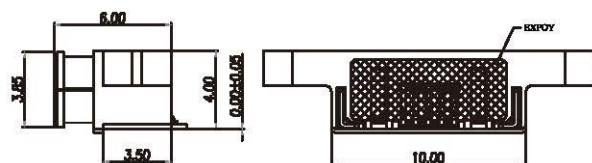
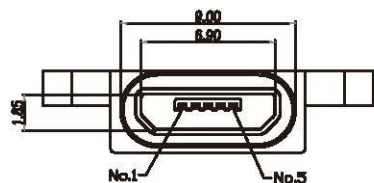
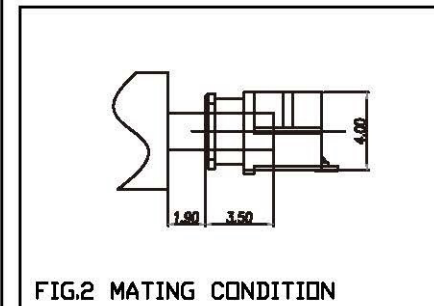
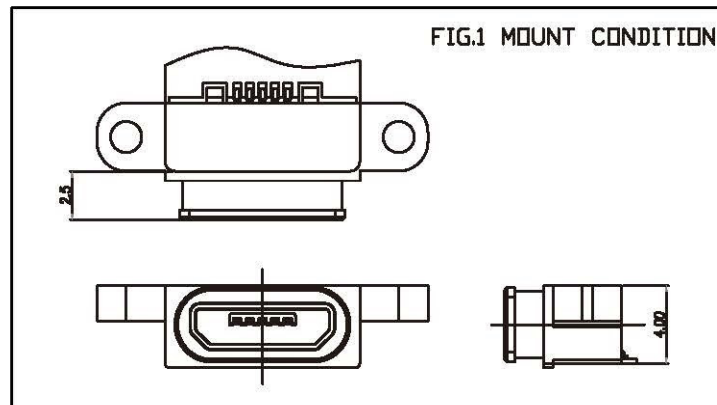
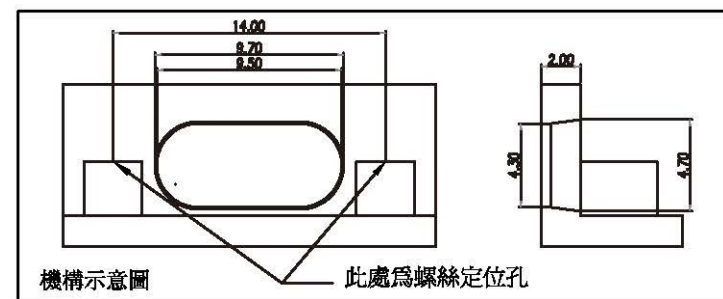


PCB LAYOUT



1. MATERIAL :
 - 1-1. HOUSING : LCP UL94V-0 ; COLOR : BLACK
 - 1-2. CONTACT : PHOSPHOR BRONZE
 - 1-3. SHELL : STAINLESS STEEL
 - 1-4. O-RING : SILICON
 - 1-5. PAD : BRASS
2. FINISH :
 - 2-1. CONTACT : CONTACT AREA : GOLD 10 μ
GOLD FLASH ON OTHER AREA
UNDERPLATED ; NICKEL 50 μ
 - 2-2. SHELL : MATTE TIN PLATED
 - 2-3. PAD : MATTE TIN PLATED



All Connectors

www.allconnectors.de
Tel.: 0049 711 7009503
70734 Filderstadt - Germany

Info@allconnectors.de
Fax: 0049 711 7009504
Kettnerstr. 25

RoHS Compliant

DRAWING BY CY
CHECKED BY GENIUS
UNIT / mm SCALE 1 : 1
DATE
SIZE A4 PROJECTION

TOLERANCES ARE

X ±
X ± 0.20
.XX ± 0.10
.XXX ± 0.05
ANG ± 1°



ORDER INFORMATION

WPMIB-SWE-5B-LF
SERIES | LEADFREE
5 PIN B TYPE
EAR
90°SMT
FEMALE

DESCRIPTION: waterproof micro usb 5P(F) SMT