

F

E

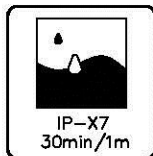
D

C

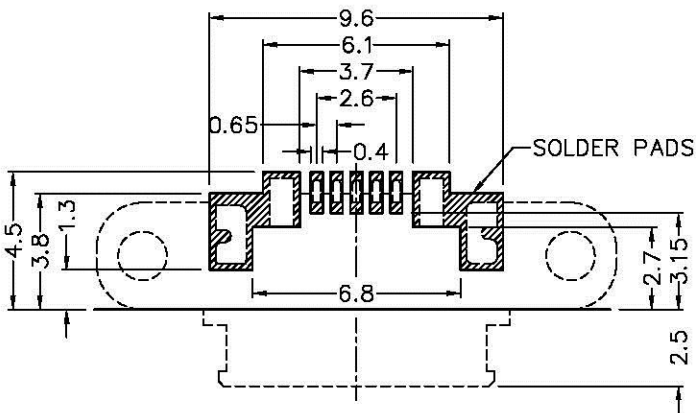
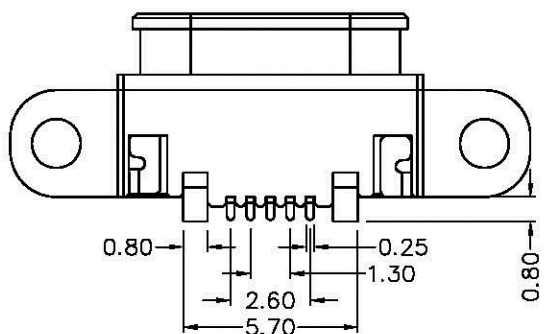
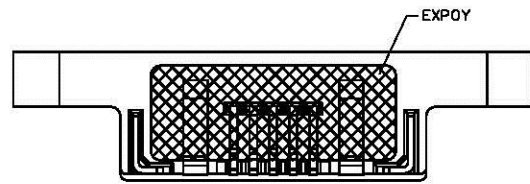
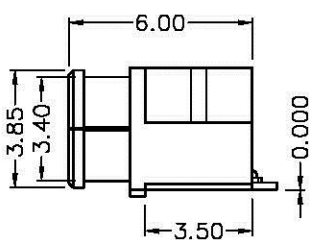
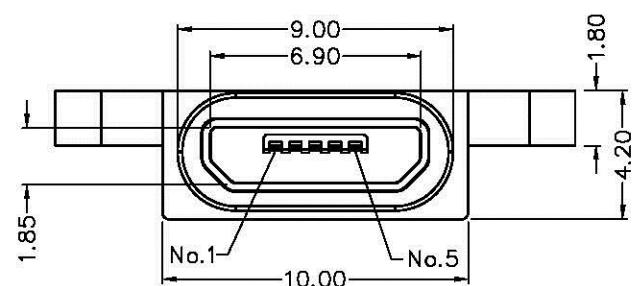
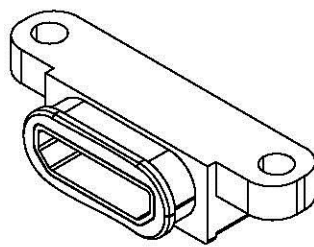
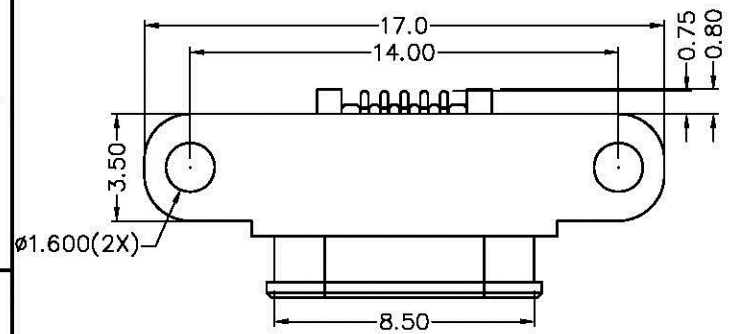
B

A

ZONE	SYMBOL	REVISION	APPROVAL	DATE



**RoHS**  
Compliant



1. MATERIAL :
  - 1-1. HOUSING : LCP UL94V-0 ; COLOR : BLACK
  - 1-2. CONTACT : PHOSPHOR BRONZE
  - 1-3. SHELL : STAINLESS STEEL
  - 1-4. PAD : BRASS
2. FINISH :
  - 2-1. CONTACT : GOLD 10u"  
GOLD FLASH ON OTHER AERA  
UNDERPLATED : NICKEL ON OVER ALL
  - 2-2. SHELL : MATTE TIN PLATED
  - 2-3. PAD : MATTE TIN PLATED

RECOMMENDED PCB LAYOUT  
TOLERANCE: ±0.05  
(TOP VIEW)



DESIGN	T.Y.LI	DATE	28-2-2014	SCALE	4:1
DRAWING	T.Y.LI	DATE	28-2-2014	MATERIAL	*
CHECK		DATE		DWG. NO.	DZ\WP4001D-LCP/1
APPROVAL		DATE		SHEET	

PART NAME	WATERPROOF MICRO USB CONNECTOR	TOLERANCE UNLESS	0.0±0.2	UNIT:	mm
PART NO.	TWP-4001D	OTHERWISE SPECIFIED:	0.00±0.1 0.000±0.05		

F

E

D

C

B

A