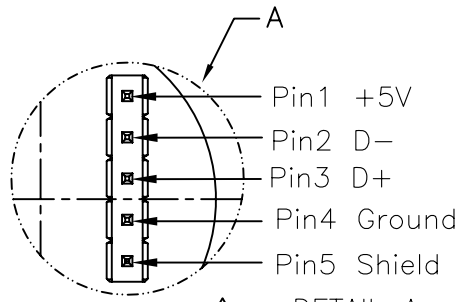
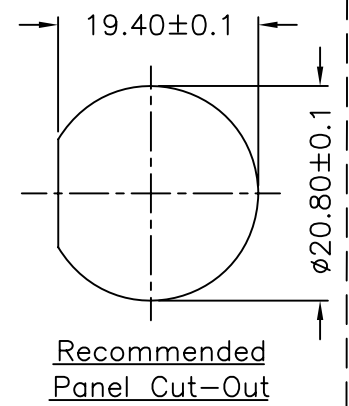
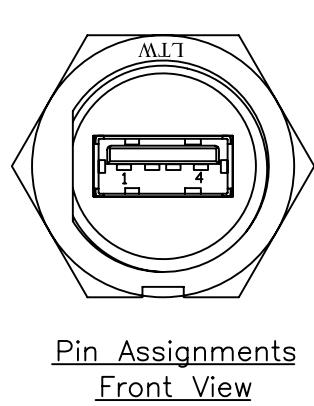
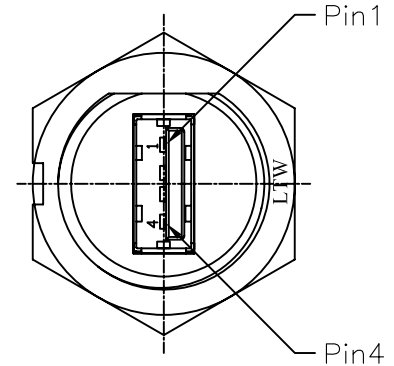
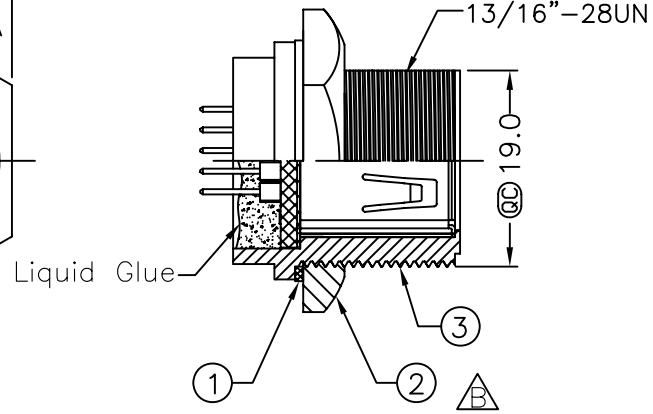
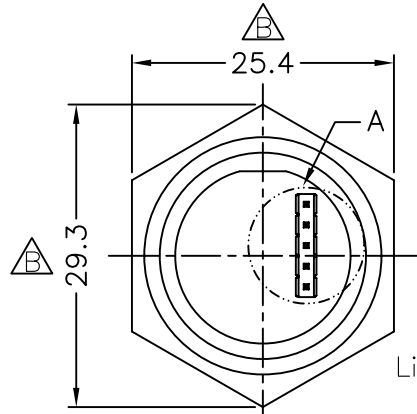
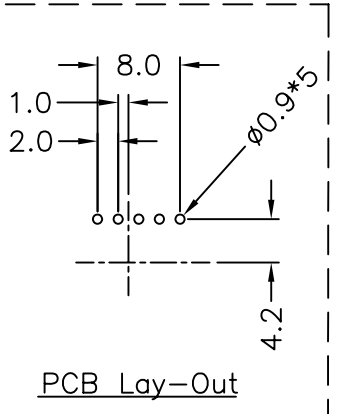
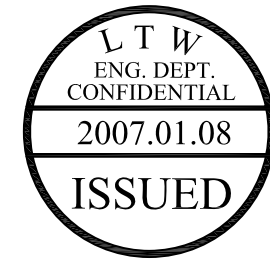
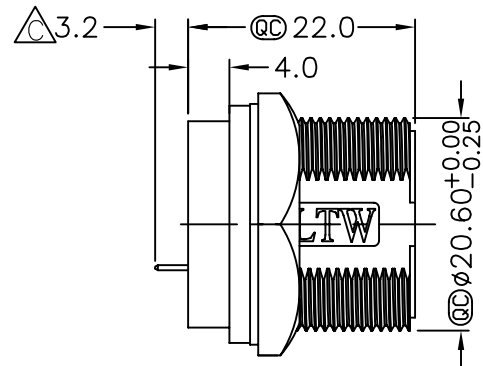


THIS DOCUMENT IS SUBJECT TO CHANGE WITHOUT NOTICE. IT IS CONFIDENTIAL AND A PROPERTY OF LTW. DISCLOSURE TO THIRD PARTY HAS TO BE AUTHORIZED BY LTW.

REV.	ECN NO.	DATE	SIGN	DESCRIPTION
B	LE3-6A0088	2006/10/24	Kathy Huang	Change the Panel thickness.Add the Spanner Size and Pin Assignment
C	LEN-710010	2007/01/03	Gao Ling	Chagne 3.5 to 3.2



**DETAIL A**  
SCALE 2:1



- Note:
- \* @C Important Dimensions.
  - \* Waterproof Rate: IP68
  - \* USB A: Female PCB Type, Gold Plated
  - \* Panel Thickness: Max is 5 mm **A**

UNIT:mm		TITLE USB, Panel Screw M Conn. F Pin	 <b>All connectors</b> <small>www.allconnectors.eu   info@allconnectors.eu Tel. +49 (0)711 / 358 110 20   Fax +49 (0)711 / 358 110 25</small>		ITEM NO LTWUA-20PMFP-SC8001	DRAWN BY Gao Ling	DATE 2007/01/03
TOLERANCE .X ±0.25 .XX ±0.1 .XXX ±0.05 ANGLES ±1°		SCALE Free			SHEET 1 OF 1	DWG NO LTWUA-20PMFP-SC8001	CHECKED BY Liuyangzhi
		REV. C	SIZE A4	@C : Inspection Item	CUSTOMER	APPROVED BY Liuyangzhi	DATE 2007/01/04