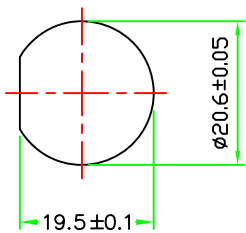
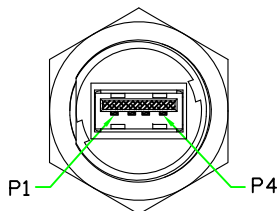


REV	DESCRIPTION	DATE
A	ISSUE	OCT/03/2012

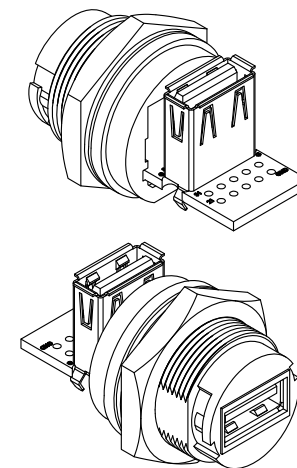
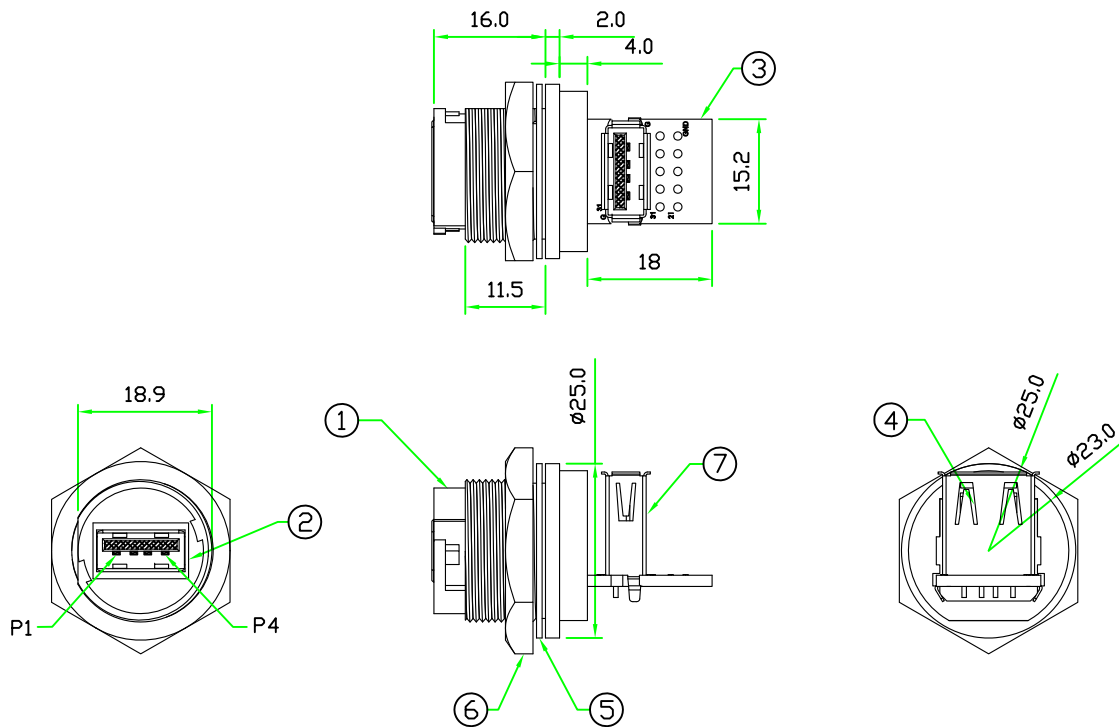
RoHS



RECOMMENDED
PANEL CUT-OFF



PIN ASSIGNMENT
FRONT VIEW



7	CONNECTOR	USB 2.0 A TYPE FEMALE STRAIGHT PCB TYPE.	WHITE	1	JA11-04010B140-R
6	HEX NUT	NYLON+GF.	BLACK	1	C-NUT (42-135)
5	GASKET	EPDM.	BLACK	1	CCA-G-EP70
4	GLUE	EPOXY.	BLACK	1	
3	PCB	FR4 . DOUBLE SIDE, 1.6mm THICKNESS.		1	USBAC-PCB
2	CONNECTOR	USB 2.0 A TYPE FEMALE CONNECTOR R/A TYPE.	WHITE	1	UA91-0401-B100-R
1	BODY	USB A TYPE FEMALE CONNECTOR BODY. NYLON+GF.	BLACK	1	USBAC-L3C (89-135-N3-3)
No.	PART NAME	DESCRIPTION	COLOR	Q'TY	REMARKS

HOLIN® **All Connectors**
www.allconnectors.eu | info@allconnectors.eu
 Tel. +49 (0)711 / 358 110 20 | Fax +49 (0)711 / 358 110 25

UNIT: mm
SCALE: 1:1

TITLE : USB 2.0 A TYPE FEMALE C SIZE
 LOCK TYPE CIRCULAR FLANGE PANEL
 WITH STRAIGHT USB 2.0 A TYPE FEMALE

UNLESS OTHERWISE SPECIFIED TOLERANCES:
 X ±0.25 XX ± 0.1
 XXX ± 0.05 ANGLE ± 1°X

P/N: USB2AC-L3CSJ
DWG.NO: USB2AC-L3CSJ

DR. jaek
CH. Michael
AP.

REV. A **SHEET** 1/1