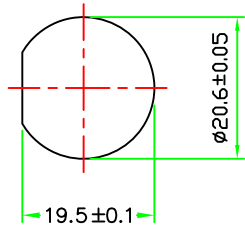
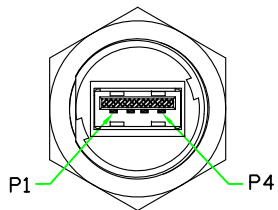


REV	DESCRIPTION	DATE
A	ISSUE	OCT/03/2012

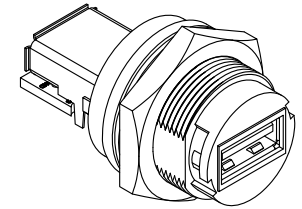
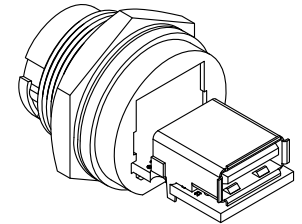
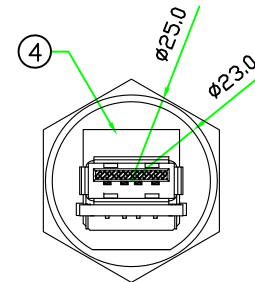
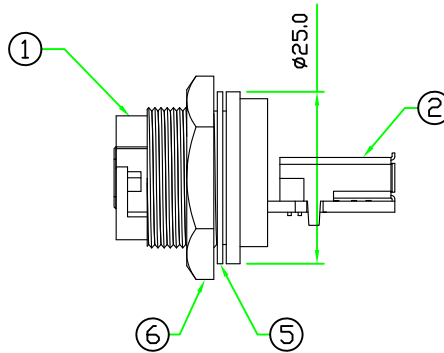
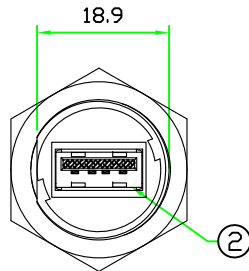
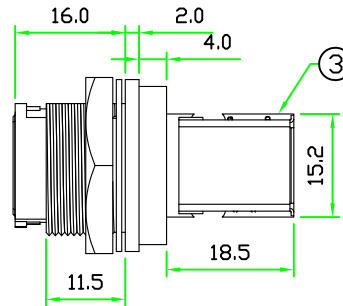
RoHS



RECOMMENDED
PANEL CUT-OFF



PIN ASSIGNMENT
FRONT VIEW



6	HEX NUT	NYLON+GF.	BLACK	1	C-NUT (42-135)
5	GASKET	EPDM.	BLACK	1	CCA-G-EP70
4	GLUE	EPOXY.	BLACK	1	
3	PCB	FR4 . DOUBLE SIDE, 1.6mm THICKNESS.		1	USBAC-PCB
2	CONNECTOR	USB 2.0 A TYPE FEMALE CONNECTOR.	WHITE	2	UA91-0401-B100-R
1	BODY	USB A TYPE FEMALE CONNECTOR BODY. NYLON+GF.	BLACK	1	USBAC-L3C (89-135-N3-3)
No.	PART NAME	DESCRIPTION	COLOR	Q'TY	REMARKS

HOLIN®		All connectors <small>www.allconnectors.eu info@allconnectors.eu Tel. +49 (0)711 / 358 110 20 Fax +49 (0)711 / 358 110 25</small>	
	UNIT: mm	TITLE : USB 2.0 A TYPE FEMALE C SIZE LOCK TYPE CIRCULAR FLANGE PANEL WITH RIGHT ANGLE USB 2.0 A TYPE FEMALE	
SCALE	1:1	P/N: USB2AC-L3CRJ	
UNLESS OTHERWISE SPECIFIED TOLERANCES: X ±0.25 XX ±0.1 XXX ±0.05 ANGLE ± 1°X		DR. <i>jaek</i>	
REV. A	SHEET 1/1	CH. <i>Michael</i>	
		DWG.NO: USB2AC-L3CRJ	
		AP.	