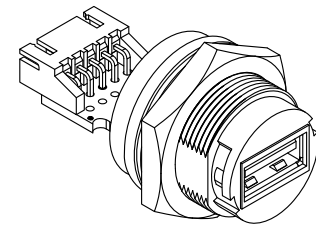
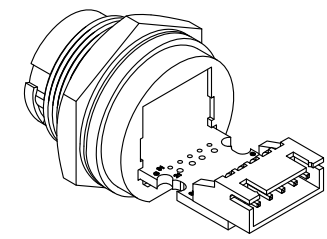
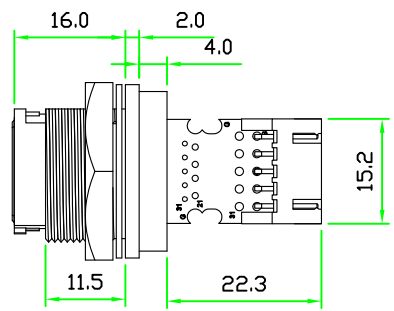
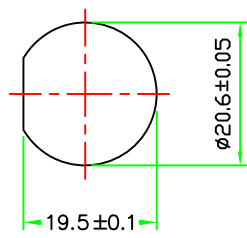


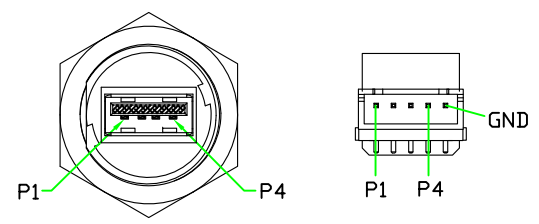
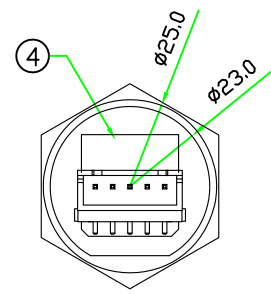
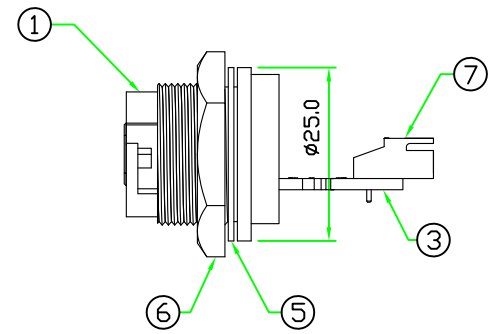
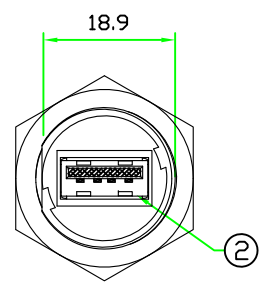
REV	DESCRIPTION	DATE
A	ISSUE	OCT/03/2012



RoHS



RECOMMENDED PANEL CUT-OFF



PIN ASSIGNMENT FRONT VIEW

7	WAFER	PITCH 2.5mm 5P*1RAW RIGHT ANGLE WAFER .	WHITE	1	
6	HEX NUT	NYLON+GF.	BLACK	1	C-NUT (42-135)
5	GASKET	EPDM.	BLACK	1	CCA-G-EP70
4	GLUE	EPOXY.	BLACK	1	
3	PCB	FR4 . DOUBLE SIDE, 1.6mm THICKNESS.		1	USBAC-PCB
2	CONNECTOR	USB 2.0 A TYPE FEMALE CONNECTOR.	WHITE	1	UA91-0401-B100-R
1	BODY	USB A TYPE FEMALE CONNECTOR BODY. NYLON+GF.	BLACK	1	USBAC-L3C (89-135-N3-3)
No.	PART NAME	DESCRIPTION	COLOR	Q'TY	REMARKS

HOLIN® Allconnectors

www.allconnectors.eu | info@allconnectors.eu
Tel: +49 (0)711 / 358 110 20 | Fax: +49 (0)711 / 358 110 25

UNIT: mm
SCALE: 1:1

TITLE : USB 2.0 A TYPE FEMALE C SIZE LOCK TYPE CIRCULAR FLANGE PANEL WITH RIGHT ANGLE WAFER

P/N: USB2AC-L3C14
DR. *jaek*
CH. *Michael*

UNLESS OTHERWISE SPECIFIED TOLERANCES:
X ±0.25 XX ±0.1
XXX ±0.05 ANGLE ±1°X

REV. A SHEET 1/1
DWG.NO: USB2AC-L3C14
AP.