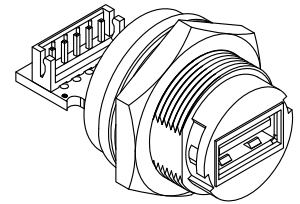
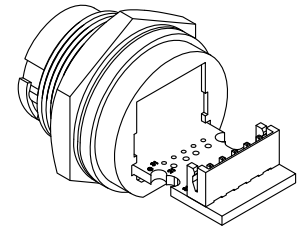
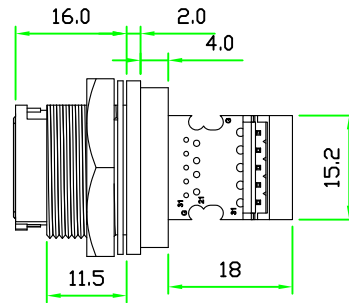
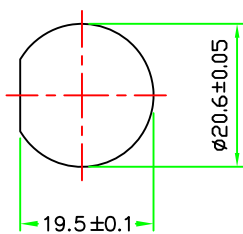


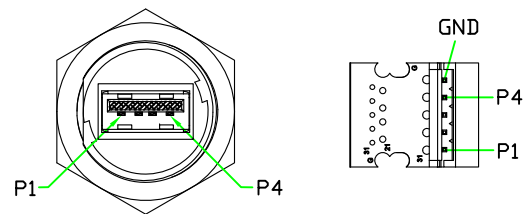
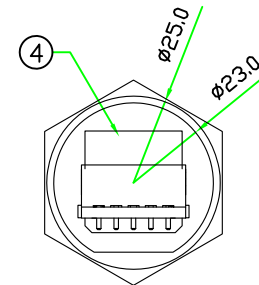
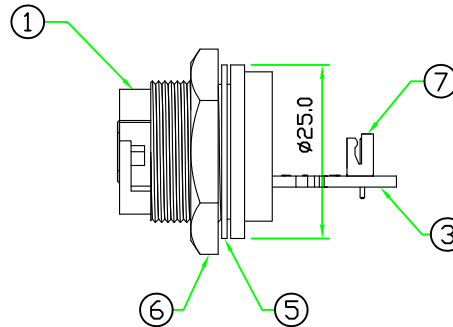
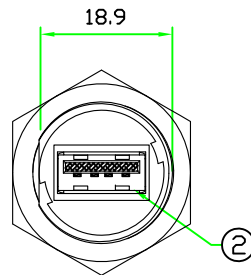
REV	DESCRIPTION	DATE
A	ISSUE	OCT/03/2012



RoHS



RECOMMENDED
PANEL CUT-OFF



PIN ASSIGNMENT FRONT VIEW

No.	PART NAME	DESCRIPTION	COLOR	Q'TY	REMARKS
7	WAFER	PITCH 2.5mm 5P*1RAW STRAIGHT WAFER .	WHITE	1	
6	HEX NUT	NYLON+GF.	BLACK	1	C-NUT (42-135)
5	GASKET	EPDM.	BLACK	1	CCA-G-EP70
4	GLUE	EPOXY.	BLACK	1	
3	PCB	FR4 . DOUBLE SIDE, 1.6mm THICKNESS.		1	USBAC-PCB
2	CONNECTOR	USB 2.0 A TYPE FEMALE CONNECTOR.	WHITE	1	UA91-0401-B100-R
1	BODY	USB A TYPE FEMALE CONNECTOR BODY. NYLON+GF.	BLACK	1	USBAC-L3C (89-135-N3-3)

HOLIN® **Allconnectors**
www.allconnectors.eu | info@allconnectors.eu
Tel. +49 (0)711 / 358 110 20 | Fax +49 (0)711 / 358 110 25

UNIT: mm **TITLE :** USB 2.0 A TYPE FEMALE C SIZE LOCK TYPE CIRCULAR FLANGE PANEL WITH STRAIGHT WAFER

SCALE 1:1

UNLESS OTHERWISE SPECIFIED TOLERANCES:

X ±0.25 XX ±0.1
XXX ±0.05 ANGLE ± 1°X

P/N: USB2AC-L3C13 **DR.** jaek
CH. Michael

REV. A **SHEET** 1/1 **DWG.NO:** USB2AC-L3C13 **AP.**