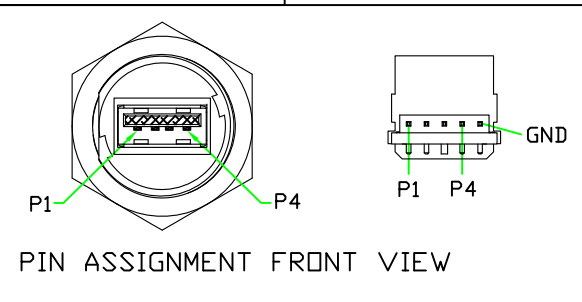
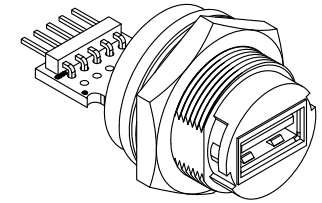
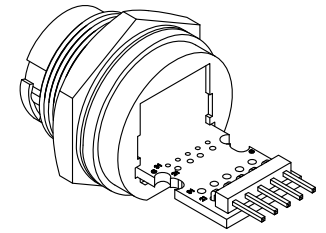
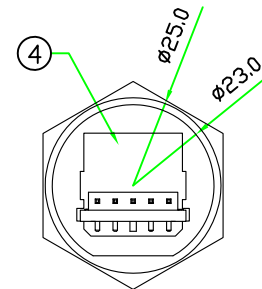
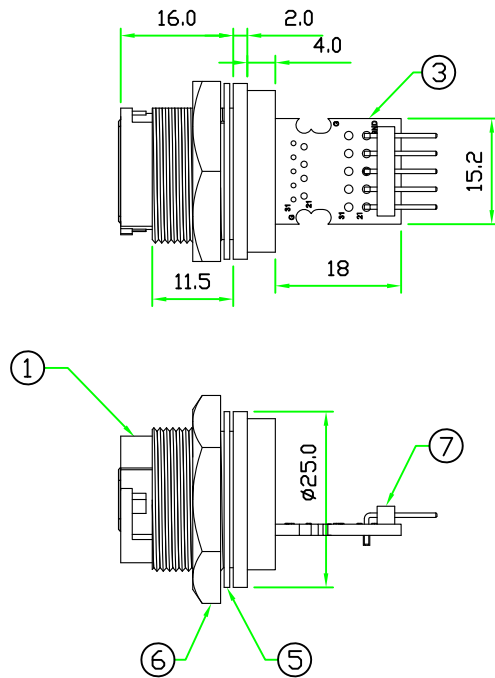
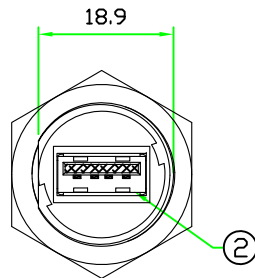
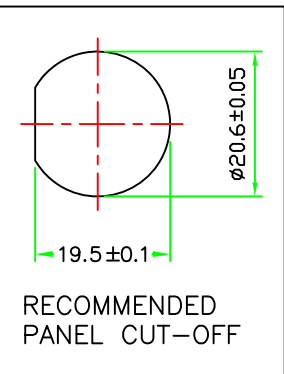


REV	DESCRIPTION	DATE
A	ISSUE	OCT/03/2012

RoHS



7	PIN HEADER	PITCH 2.54mm 5P*1RAW RIGHT ANGLE PIN HEADER .	BLACK	1	
6	HEX NUT	NYLON+GF.	BLACK	1	C-NUT (42-135)
5	GASKET	EPDM.	BLACK	1	CCA-G-EP70
4	GLUE	EPOXY.	BLACK	1	
3	PCB	FR4 . DOUBLE SIDE, 1.6mm THICKNESS.		1	USBAC-PCB
2	CONNECTOR	USB 2.0 A TYPE FEMALE CONNECTOR.		1	UA91-0401-B100-R
1	BODY	USB A TYPE FEMALE CONNECTOR BODY. NYLON+GF.	BLACK	1	USBAC-L3C (89-135-N3-3)
No.	PART NAME	DESCRIPTION	COLOR	Q'TY	REMARKS

HOLIN® **All Connectors**
www.allconnectors.eu | info@allconnectors.eu
 Tel. +49 (0)711 / 358 110 20 | Fax +49 (0)711 / 358 110 25

UNIT: mm **TITLE :** USB 2.0 A TYPE FEMALE C SIZE
 LOCK TYPE CIRCULAR FLANGE PANEL
 WITH RIGHT ANGLE PIN HEADER

SCALE: 1:1

UNLESS OTHERWISE SPECIFIED TOLERANCES:
 X ±0.25 XX ±0.1
 XXX ±0.05 ANGLE ± 1gX

P/N: USB2AC-L3C12 **DR.** JACH
CH. Michael

REV. A **SHEET** 1/1 **DWG.NO:** USB2AC-L3C12 **AP.**