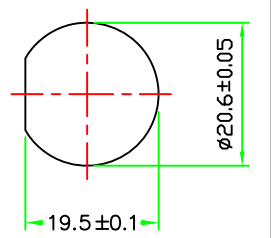
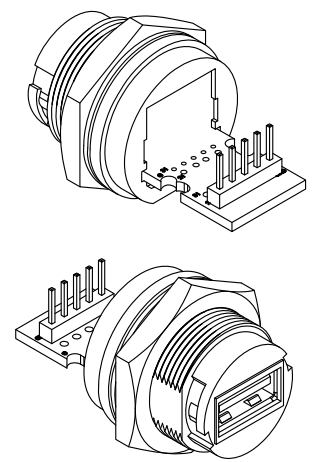
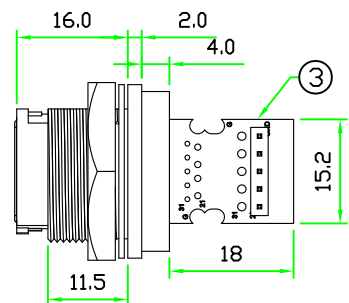
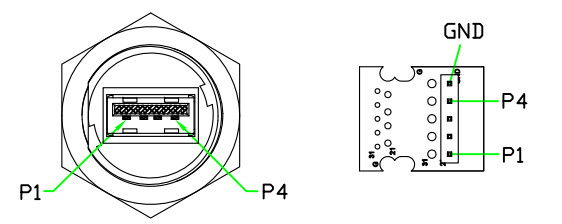
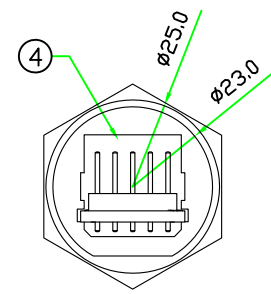
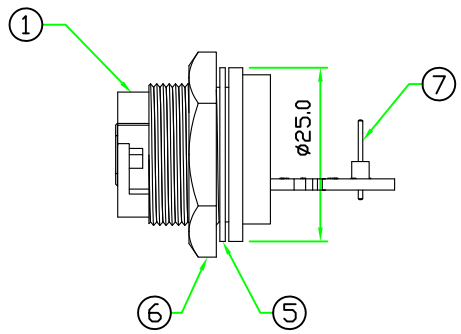
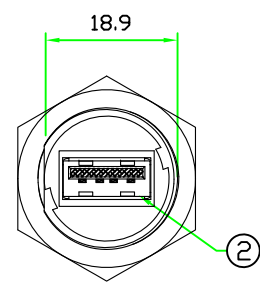


REV	DESCRIPTION	DATE
A	ISSUE	OCT/03/2012

**RoHS**



RECOMMENDED PANEL CUT-OFF



PIN ASSIGNMENT FRONT VIEW

7	PIN HEADER	PITCH 2.54mm 5P*1RAW STRAIGHT PIN HEADER .	BLACK	1	
6	HEX NUT	NYLON+GF.	BLACK	1	C-NUT (42-135)
5	GASKET	EPDM.	BLACK	1	CCA-G-EP70
4	GLUE	EPOXY.	BLACK	1	
3	PCB	FR4 . DOUBLE SIDE, 1.6mm THICKNESS.		1	USBAC-PCB
2	CONNECTOR	USB 2.0 A TYPE FEMALE CONNECTOR.		1	UA91-0401-B100-R
1	BODY	USB A TYPE FEMALE CONNECTOR BODY. NYLON+GF.	BLACK	1	USBAC-L3C (89-135-N3-3)
No.	PART NAME	DESCRIPTION	COLOR	Q'TY	REMARKS

**HOLIN®** **Allconnectors**  
www.allconnectors.eu | info@allconnectors.eu  
 Tel. +49 (0)711 / 358 110 20 | Fax +49 (0)711 / 358 110 25

UNIT: mm  
 SCALE 1:1  
 TITLE : USB 2.0 A TYPE FEMALE C SIZE LOCK TYPE CIRCULAR FLANGE PANEL WITH STRAIGHT PIN HEADER

UNLESS OTHERWISE SPECIFIED TOLERANCES:  
 X ±0.25 XX ± 0.1  
 XXX ± 0.05 ANGLE ± 1gX

REV. A SHEET 1/1  
 P/N: USB2AC-L3C11  
 DWG.NO: USB2AC-L3C11

DR. *jaeck*  
 CH. *Michael*  
 AP.