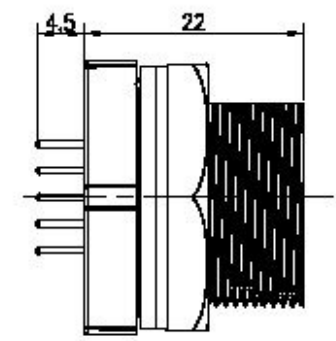
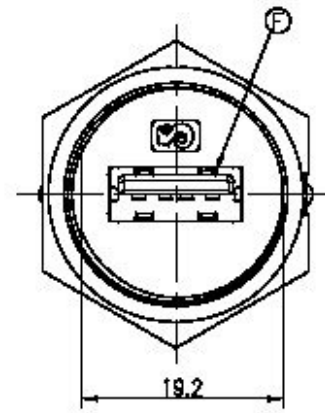
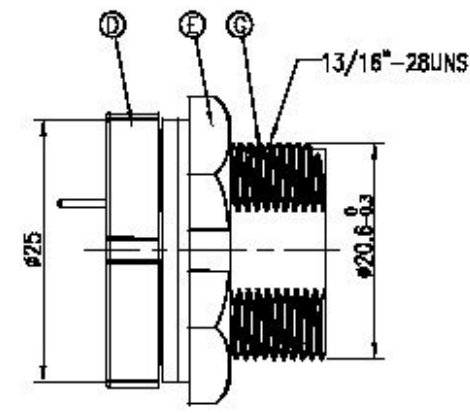
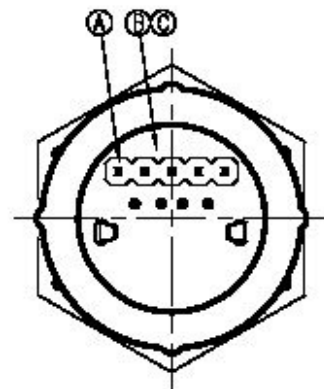
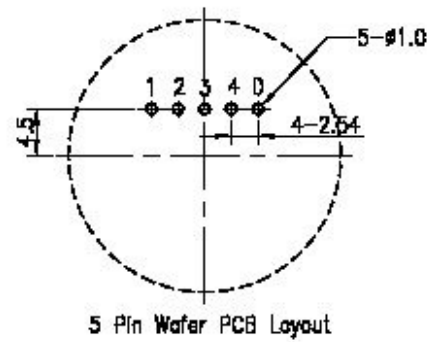
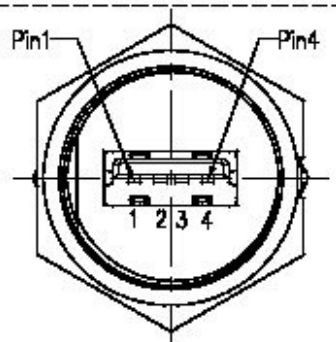


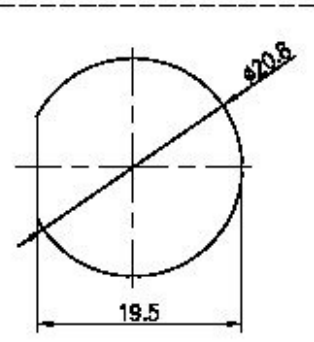
REV.	ECN NO OR DESCRIPTION	REVISED	DATE
A	PDR NO.:T090522-3A	Size	2009.07.30



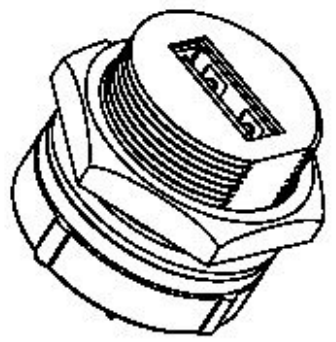
- NOTES:
1. WATERPROOF RATE: IP67  
IP67: IMMERSED IN 1M WATER FOR 30 MINUTES
  2. ELECTRICAL CHARACTERISTICS:  
1-1. RATING: 30V 1A  
1-2. CONTACT RESISTANCE: 30mΩ MAX.(INITIAL)  
1-3. DIELECTRIC WITHSTANDING VOLTAGE: 500V AC FOR ONE MINUTE  
1-4. INSULATION RESISTANCE: 100MΩ MIN. MEASURED BY 500 VDC
  3. OTHER GENERAL SPEC. TO REFER "2UB151B SERIES SPEC".
  4. INSERTION FORCE: 3.5KGF MAX.  
WITHDRAW FORCE: 0.5KGF MIN.
  5. TO CONFORM TO SINGATRON HAZARDOUS SUBSTANCE FREE SPEC.
  6. GREEN PRODUCT IDENTIFICATION LABEL ON PACKAGING:
  7. FOR PANEL THICKNESS MAX OF 4.0mm



PIN ASSIGNMENTS  
FRONT VIEW



RECOMMENDED PANEL CUT-OUT



G	HOUSING	1	PPE	BLACK
F	USB A JACK	1	P/N:2UB151B-000111	N/A
E	SCREW NUT	1	PPE	BLACK
D	SEALING NUT	1	PPE	BLACK
C	O-RING	1	EPDM	BLACK
B	PCB	1	FR-4	GREEN
A	WAFER	1	SPIN 2.54PITCH	BLACK
NO	DESCRIPTION	QTY	MATERIAL	PLATING & COLOR

UNLESS OTHERWISE SPECIFIED TOLERANCES

DECIMALS:	ANGLES:
X :±0.5	X :±2°
X.X :±0.3	X.X :±1°
X.XX :±0.2	

<b>Allconnectors</b> <small>www.allconnectors.com   info@allconnectors.com Tel: +86 (0)751 388 510 20   Fax: +86 (0)751 388 110 25</small>			
TITLE	WATERPROOF USB 2.0 JACK		
DWN	Steve	PART NO.2UB3001-W05100	
CHKD	Quan	SCALE 2:1	UNIT: mm
APVD	Max	SIZE: A3	SHEET: 1 OF 1 REV: A

CUSTOMER COPY