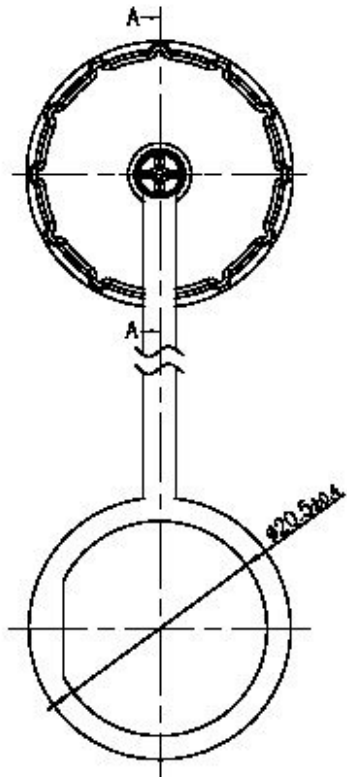
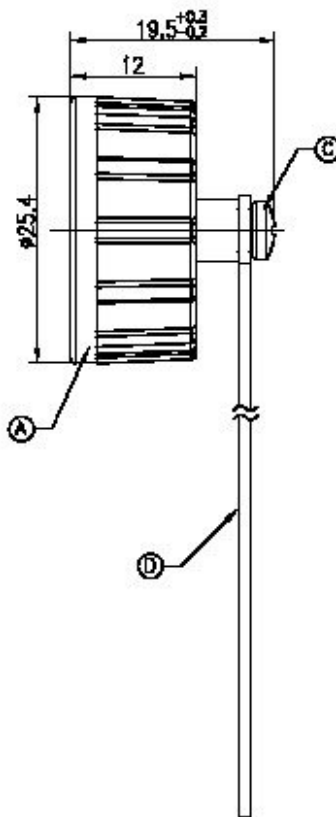
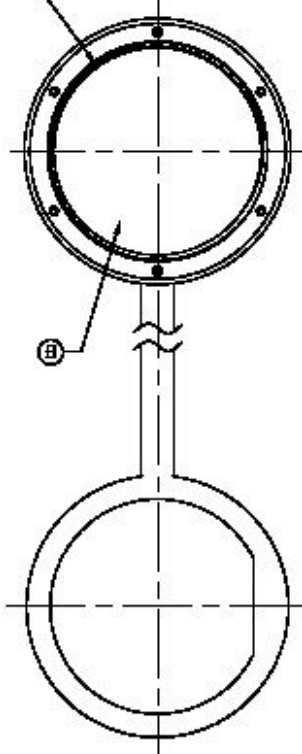


| REV. | ECN NO OR DESCRIPTION | REVISED | DATE |
|------|-----------------------|---------|------------|
| A | PDR NO.:T090522-3C | Steve | 2009.07.28 |

13/16"-28UNS



NOTES:

1. WATERPROOF RATE: IP67
IP67: IMMersed IN 1M WATER FOR 30 MINUTES
2. TO CONFORM TO SINGATRON HAZARDOUS SUBSTANCE FREE SPEC.
3. GREEN PRODUCT IDENTIFICATION LABEL ON PACKAGING:
4. FOR PANEL THICKNESS MAX OF 2.8mm

| | | | | |
|----|-------------|-----|-----------------|-----------------|
| D | CHAIN | 1 | TPU | BLACK |
| C | SCREW | 1 | STAINLESS STEEL | N/A |
| B | GASKET | 1 | EPDM | BLACK |
| A | SCREW NUT | 1 | PPE | BLACK |
| NO | DESCRIPTION | QTY | MATERIAL | PLATING & COLOR |

UNLESS OTHERWISE SPECIFIED TOLERANCES

Allconnectors
www.allconnectors.com | info@allconnectors.com
Tel: +65 (0)7711 388 110 20 | Fax: +65 (0)7711 388 110 25

| | | | | | |
|--------------|-------------|-------|---------------------------------|------------------------|---------------|
| DECIMALS: | ANGLES: | TITLE | WATERPROOF CAP SCREW TYPE (P67) | | |
| X : ±0.50 | X : ±1° | DWN | Steve | PART NO. 2UB3001-W000W | |
| X.X : ±0.30 | X.X : ±0.5° | CHKD | Quam | SCALE 2:1 | UNIT: mm |
| X.XX : ±0.20 | | APVD | Max | SIZE: A3 | SHEET: 1 OF 1 |
| | | | | | REV: A |