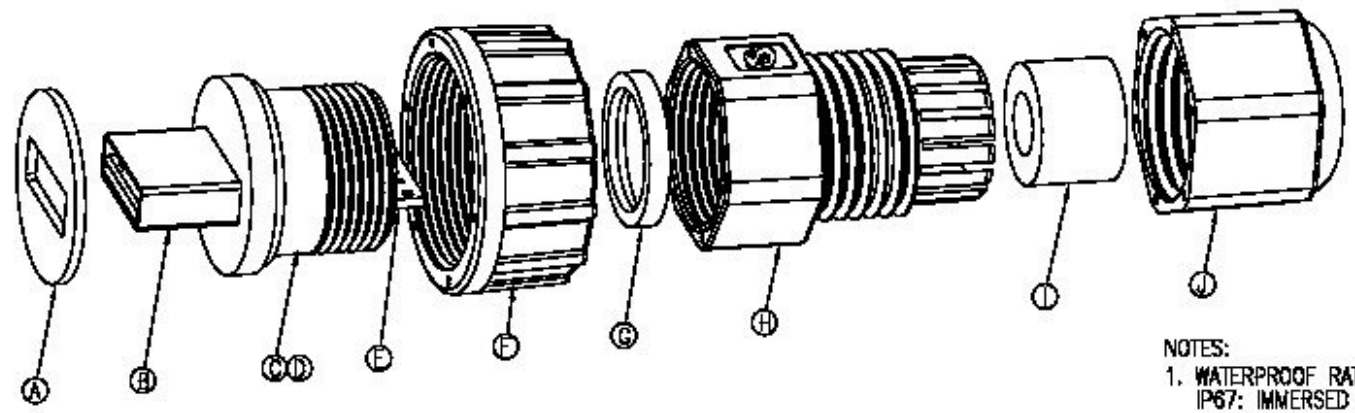
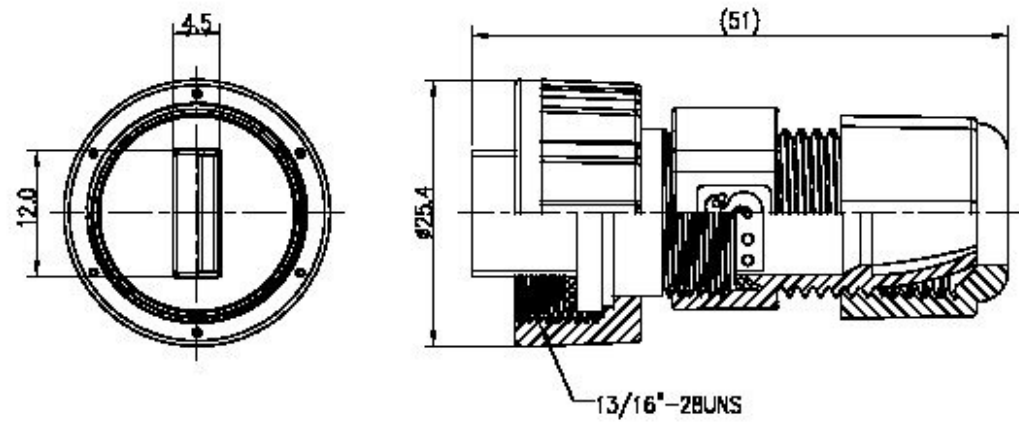


1 2 3 4 5 6 7 8

REV.	ECN NO OR DESCRIPTION	REVISED	DATE
A	PDR NO.:T090522-3B	Steve	2009.07.30



- NOTES:
1. WATERPROOF RATE: IP67
IP67: IMMERSED IN 1M WATER FOR 30 MINUTES
 2. ELECTRICAL CHARACTERISTICS:
 - 1-1. RATING: 30V 1A
 - 1-2. CONTACT RESISTANCE: 30mΩ MAX.(INITIAL)
 - 1-3. DIELECTRIC WITHSTANDING VOLTAGE: 500V AC FOR ONE MINUTE
 - 1-4. INSULATION RESISTANCE: 100MΩ MIN. MEASURED BY 500 VDC
 3. OTHER GENERAL SPEC. TO REFER "ZUP2002 SERIES SPEC".
 4. TO CONFORM TO SINGATRON HAZARDOUS SUBSTANCE FREE SPEC.
 5. GREEN PRODUCT IDENTIFICATION LABEL ON PACKAGING:



J	SEALING NUT	1	PPE	BLACK
I	SEAL	1	EPDM	BLACK
H	CLAMP RING	1	PPE	BLACK
G	GASKET	1	SILICONE	BLACK
F	SCREW NUT	1	PPE	BLACK
E	PCB	1	FR-4	GREEN
D	BODY	1	PPE	BLACK
C	LIQUID GLUE	1		BLACK
B	USB A PLUG	1	P/N:ZUP2002-4P0111	N/A
A	GASKET	1	EPDM	BLACK
NO	DESCRIPTION	QTY	MATERIAL	PLATING & COLOR

UNLESS OTHERWISE SPECIFIED TOLERANCES		Allconnectors <small>www.allconnectors.com info@allconnectors.com Tel: +65 (0)711 388 110 20 Fax: +65 (0)711 388 110 25</small>			
DECIMALS:	ANGLES:	TITLE	WATERPROOF USB2.0 A PLUG		
X :±0.5	X :±2°	DWN	Steve	PART NO.ZUP3000-W05100	
X.X :±0.3	X.X :±1°	CHKD	Quan	SCALE 1:1	UNIT: mm
X.XX :±0.2		APVD	Max	SIZE: A3	SHEET:1 OF 1 REV: A

1 2 3 4 5 6 7 8