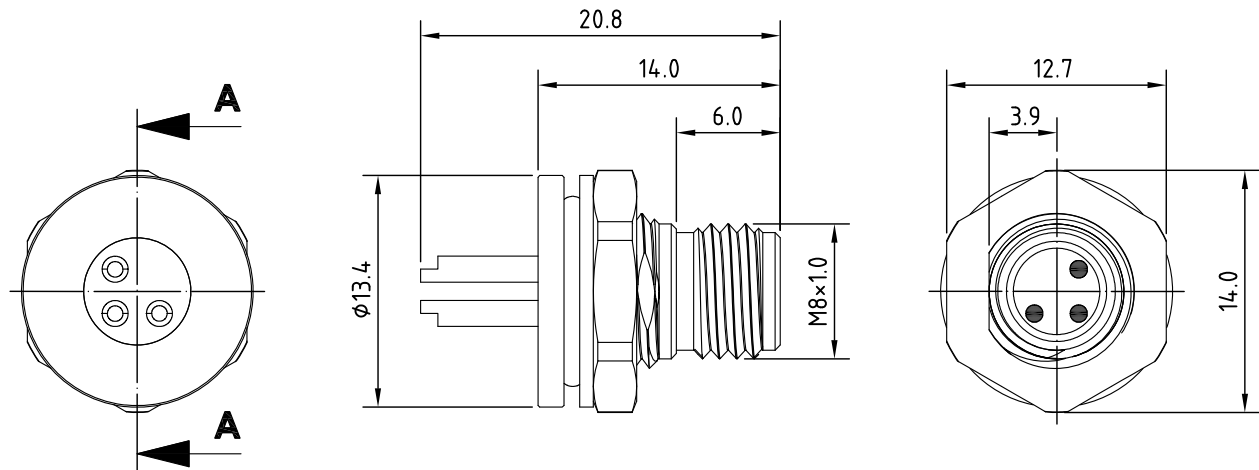


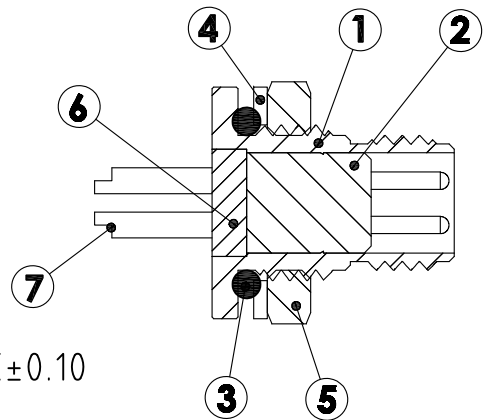
REV.	Description	Date
1	upgrade drawing	2011/9/20



Specification:
 Current: 4A
 Operation temperature: -20°C to 105°C
 Insulation resistance: 1000MΩ min,
 Dielectric strength: 500V AC min.

Waterproof test:
 Reference to IEC 60529 Edition
 2.1:2001-02-IP67

RoHS
 LEAD FREE
 TOLERANCE .X±0.25 .XX±0.10



SECTION A-A

CONTACT ARRANGEMENT FRONT VIEW (MALE)	3P	4P

7	Pin	Brass	Gold plated
6	Glue		
5	Nut	Brass	Nickel plated
4	Washer	Brass	Nickel plated
3	O ring	Rubber	
2	Housing	PA	UL94V-0
1	Body	Brass	Nickel plated
Item	Description	Material	Treat & Remark

All Connectors
 www.allconnectors.eu | info@allconnectors.eu
 Tel. +49 (0)711 / 358 110 20 | Fax +49 (0)711 / 358 110 25

DATE	9/20/2011	PART NO.	SP209F-XP
DWN	GINA	REV.	1
CHK			
UNIT	MM		

ITEM	Sensor Connector M8
------	---------------------