

REV.	Description	Date
1	add spec.	2012/4/2

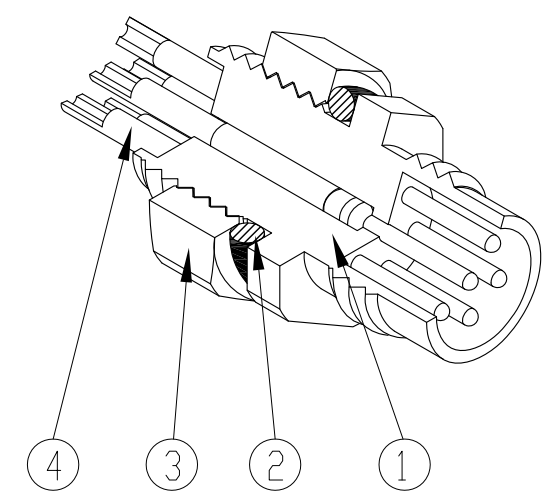
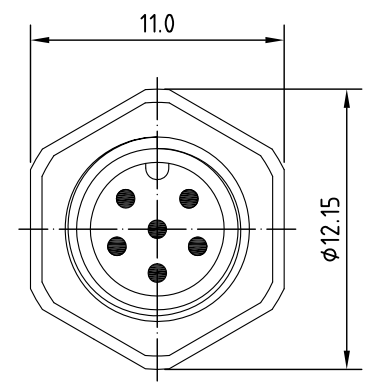
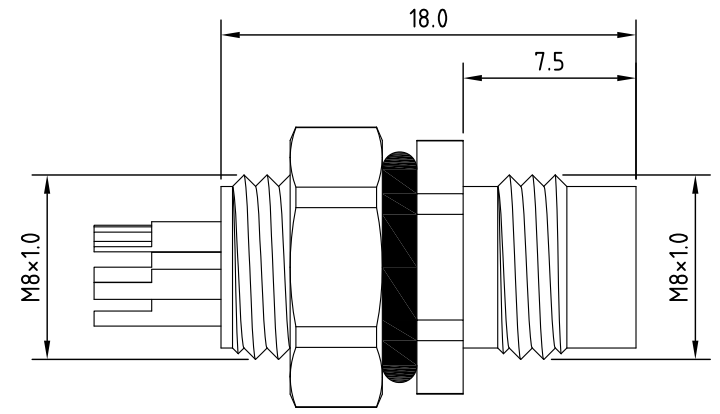
### Specification of connector

#### General Characteristics

Locking system : screw M8  
 Termination : solder  
 Shell protection : IP68  
 Upper temperature : 105°C  
 Lower temperature : -40°C

#### Electrical Characteristics

Rated voltage : 125V  
 Rated current : 2A  
 Contact resistance :  $\leq 10\text{m}\Omega$   
 Insulation resistance :  $>10\text{M}\Omega$



RoHS  
 LEAD FREE  
 TOLERANCE .X $\pm$ 0.25 .XX $\pm$ 0.10

CONTACT ARRANGEMENT FRONT VIEW (MALE)	5P	6P

4	Pin	Brass	Gold plated
3	Screw nut	PA	UL94V-0
2	O ring	Rubber	
1	Body	PA	UL94V-0
Item	Description	Material	Treat & Remark

**Allconnectors**

[www.allconnectors.eu](http://www.allconnectors.eu) | [info@allconnectors.eu](mailto:info@allconnectors.eu)  
 Tel. +49 (0)711 / 358 110 20 | Fax +49 (0)711 / 358 110 25

DATE	4/2/2012	PART NO.	SD241F2-XP
DWN	GINA	REV.	1
CHK			
ITEM	Sensor Connector M8	UNIT	MM