

REV.	Description	Date
1	add spec.	2012/4/2

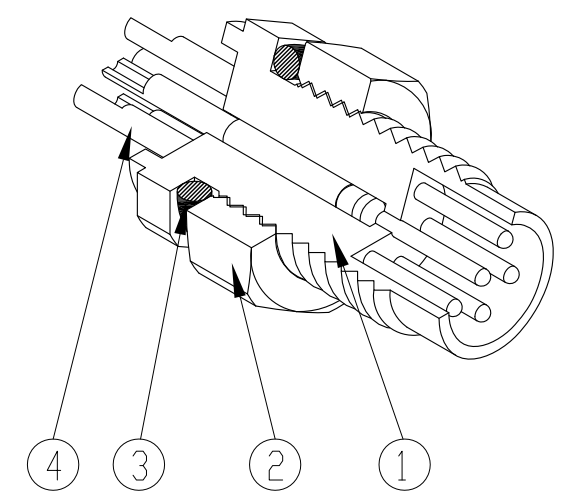
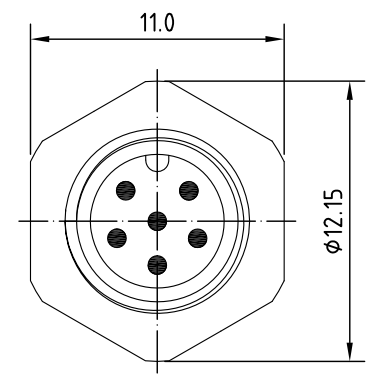
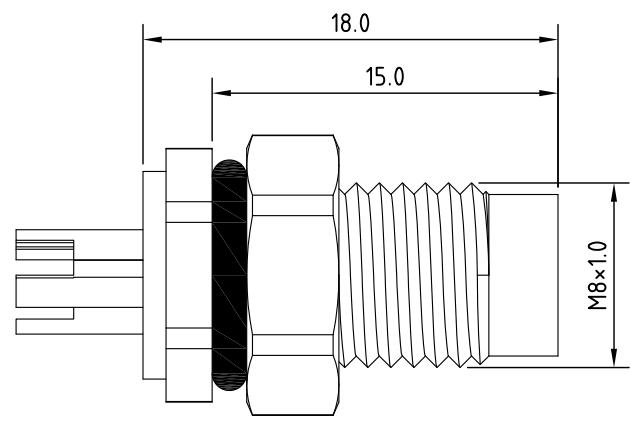
Specification of connector

General Characteristics

Locking system : screw M8
 Termination : solder
 Shell protection : IP68
 Upper temperature : 105°C
 Lower temperature : -40°C

Electrical Characteristics

Rated voltage : 125V
 Rated current : 2A
 Contact resistance : $\leq 10\text{m}\Omega$
 Insulation resistance : $>10\text{M}\Omega$



RoHS
 LEAD FREE
 TOLERANCE .X \pm 0.25 .XX \pm 0.10

CONTACT ARRANGEMENT FRONT VIEW (MALE)	5P	6P

4	Pin	Brass	Gold plated
3	O ring	Rubber	
2	Screw nut	PA	UL94V-0
1	Body	PA	UL94V-0
Item	Description	Material	Treat & Remark

All Connectors
 www.allconnectors.eu | info@allconnectors.eu
 Tel. +49 (0)711 / 358 110 20 | Fax +49 (0)711 / 358 110 25

DATE	4/2/2012	PART NO.	SD241F1-XP
DWN	GINA	REV.	1
CHK			
ITEM	Sensor Connector M8	UNIT	MM