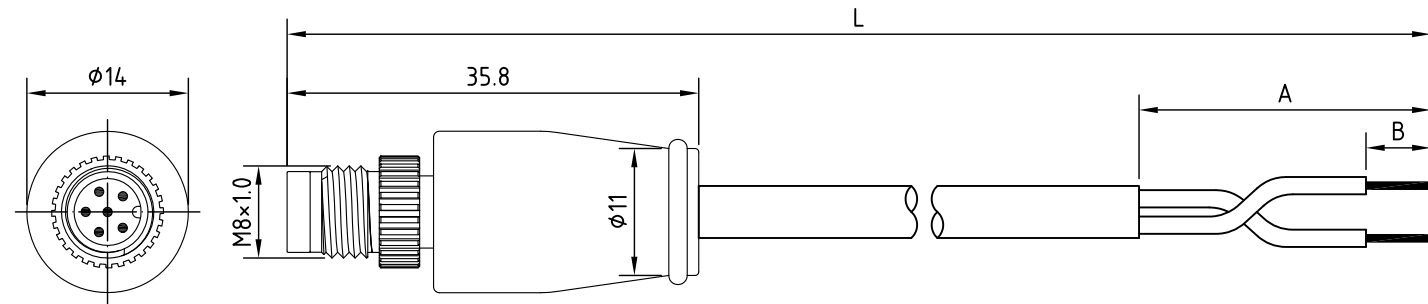


REV.	Description	Date
1	add 3-4PIN arrangement	2012/3/7



### Specification of connector

General Characteristics  
 Locking system : screw M8  
 Termination : solder  
 Shell protection : IP68  
 Upper temperature : 105°C  
 Lower temperature : -40°C

Electrical Characteristics  
 Rated voltage : 125V  
 Rated current : 5A(3-4PIN)  
 : 2A(5-6PIN)  
 Contact resistance :  $\leq 10m\Omega$   
 Insulation resistance :  $>10M\Omega$

Materials  
 Pin contact : brass  
 Contact plating : gold  
 Male insert : PA  
 Ring nut : chromium plated

### Specification of cable

Material Jacket	PVC	PUR

RoHS  
 LEAD FREE

CONTACT ARRANGEMENT FRONT VIEW (MALE)	3P	4P	5P	6P

**All Connectors**  
[www.allconnectors.eu](http://www.allconnectors.eu) | [info@allconnectors.eu](mailto:info@allconnectors.eu)  
 Tel. +49 (0)711 / 358 110 20 | Fax +49 (0)711 / 358 110 25

DATE	3/7/2012	PART NO.	D241M3-XP
DWN	GINA	REV.	1
CHK			
UNIT	MM		

ITEM	Sensor Connector M8
------	---------------------