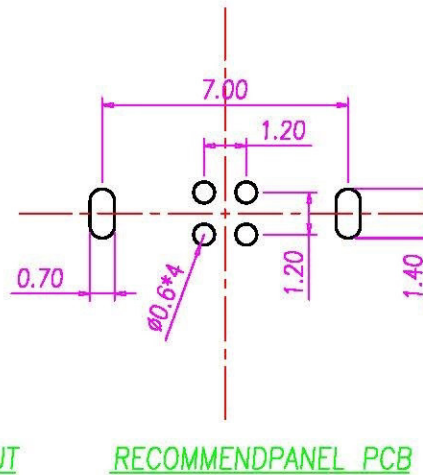
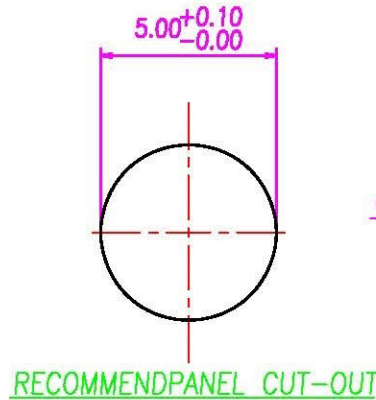
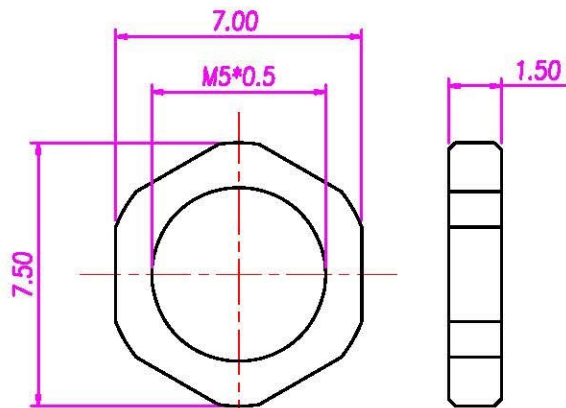
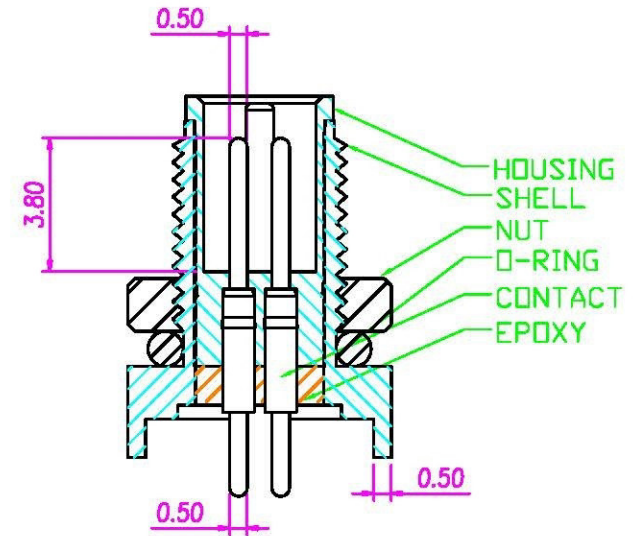
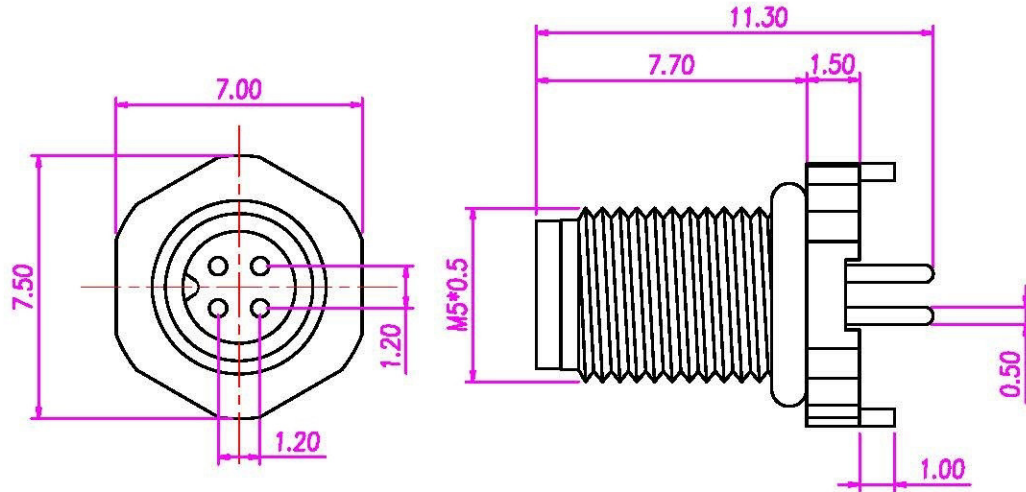


This document is the property of Nan-Yeong Corporation and is delivered on the express condition that it is not to be disclosed, reproduced or used, in whole or in part, for manufacture or sale by anyone other than Nan-Yeong Corporation without its prior consent, and that no right is granted to disclose or to use any information in this document.

CUSTOMER DRAWING

REV.	DESCRIPTION	APPROVED BY	DATE	ECN NO.
A	RELEASE	Fido Veng	22/03/10*	
B				
C				



NUT

- MATERIAL :
 - HOUSING : PBT UL94V-0 ; COLOR : BLACK
 - CONTACT : BRASS
 - NUT : BRASS
 - SHELL : BRASS
 - O-RING : NBR ; COLOR : BLACK
 - EPOXY BASE : EF400A & EF400B. COLOR : BLACK
- FINISH :
 - CONTACT : GOLD FLUSH MICRO INCHES MIN.
 - NUT : NICKEL PLATED.
 - SHELL : NICKEL PLATED.
- ELECTRICAL SPECIFICATION :
 - Rated current : 1A
 - Rated Voltage : 80V
 - Water proof: IP67
- Environmental :
 - Operation Temperature : -20 °C~85°C

DRAWN	Ku Chou	APP'D	Fido Veng	UNIT	mm	TOLERANCE		TITLE	M5*0.5 4PIN(M) (M5*0.5)		SHEET			
CHK'D	Emily Suen			SCALE	1:1	x ±0.20 xx ±0.10 xxx ±0.05 xxxx ±0.03 ANGULA ±1°		www.allconnectors.de tel: 0049 713 700350 30794 Filderstadt Germany	info@allconnectors.de fax: 0049 713 7003504 Kettnerstr. 25		PART NO.	WP-04M2-57	DWG NO.	QC5294