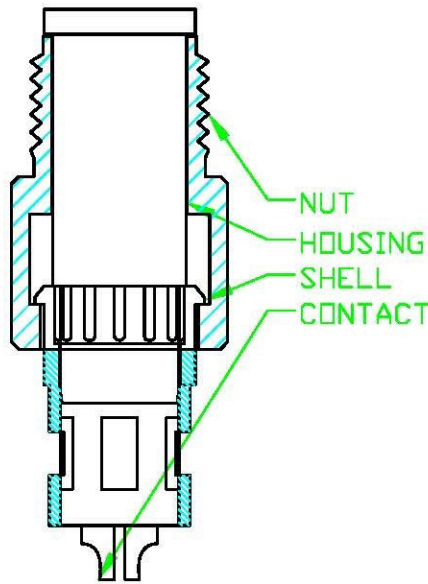
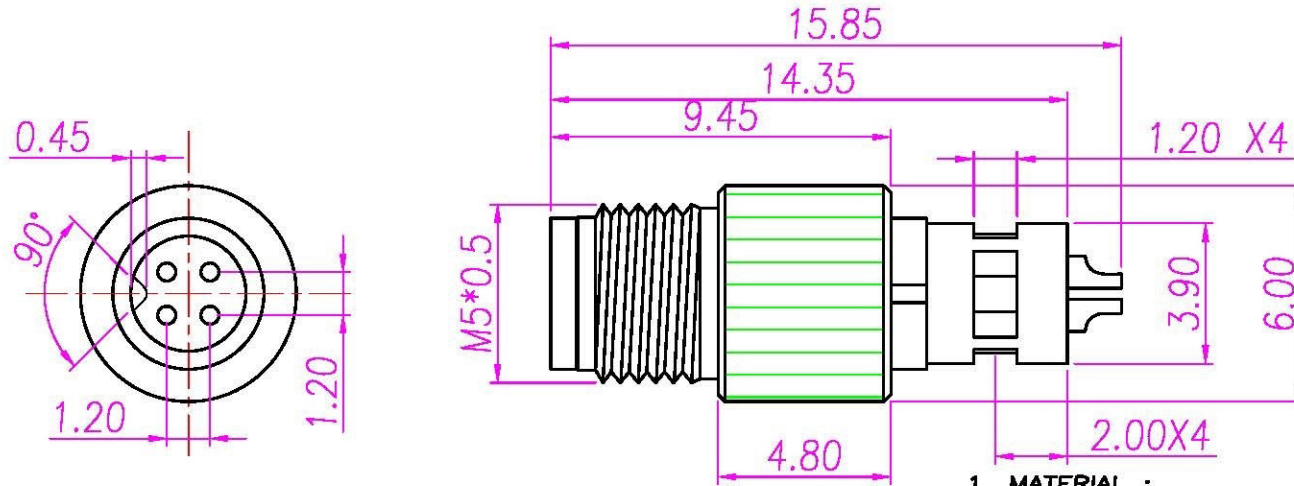


This document is the property of Nan-Yeong Corporation and is delivered on the express condition that it is not to be disclosed, reproduced or used, in whole or in part, for manufacture or sale by anyone other than Nan-Yeong Corporation without its prior consent, and that no right is granted to disclose or to use any information in this document.

CUSTOMER DRAWING

REV.	DESCRIPTION	APPROVED BY	DATE	ECN NO.
A	RELEASE	Floa Weng	01/10/10*	
B	REVISE	Enly Suen	15/08/12*	ECN019
C				



1. MATERIAL :
  - 1-1. HOUSING : SEE TABLE A.
  - 1-2. CONTACT : BRASS.
  - 1-3. NUT : BRASS
  - 1-4. SHELL : BRASS.
2. FINISH :
  - 2-1. CONTACT : GOLD FLISH MICRO INCHES MIN.
  - 2-2. NUT : SATING NI PLATED.
  - 2-3. SHELL : BRIGHT TIN PLATED .
3. ELECTRICAL SPECIFICATION :
  - 3-1. Rated current : 1A
  - 3-2. Rated Voltage : 60V
  - 3-3. Water proof : IP67
4. Environmental :
  - 4-1. Operation Temperature : -20 °C~85°C

TABLE A

WP-04M2-47	TPU ; COLOR : BLACK
WP-04M2-72	PBT ; COLOR : BLACK
PART NO	MATERIAL

DRAWN	Ku Chou	APP'D	Enly Suen	UNIT	mm	TOLERANCE	All Connectors		TITLE	M5-4(M) 線端插線式十接地			SHEET	
CHK'D	Enly Suen			SCALE	1:1	X ±0.20 XX ±0.10 XXX ±0.05 XXXX ±0.03 ANGULA ±1°		www.allconnectors.de Tel: +0049 711 700593 AU/SH Hildersheim Germany	info@allconnectors.de Fax: +0049 711 700594 Ketzlerstr. 21	PART NO.	SEE TABLE A	DWG NO.	QC5002	 VERSION B