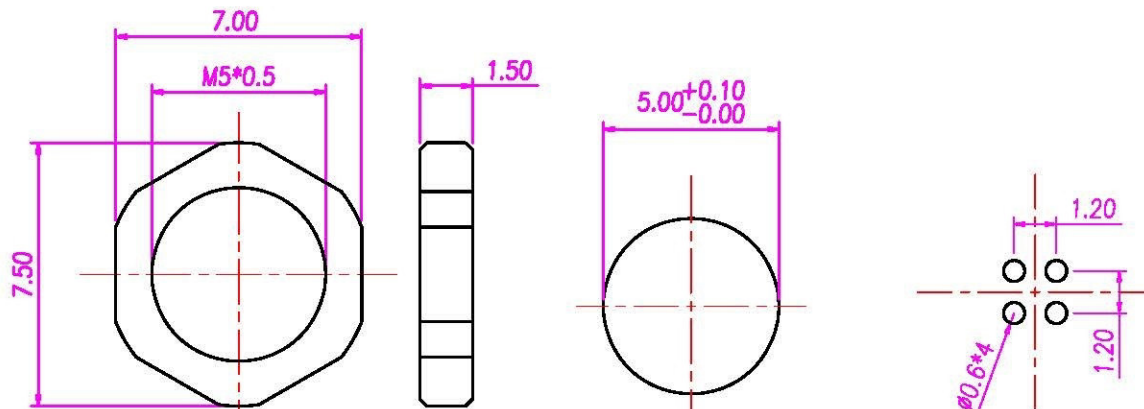
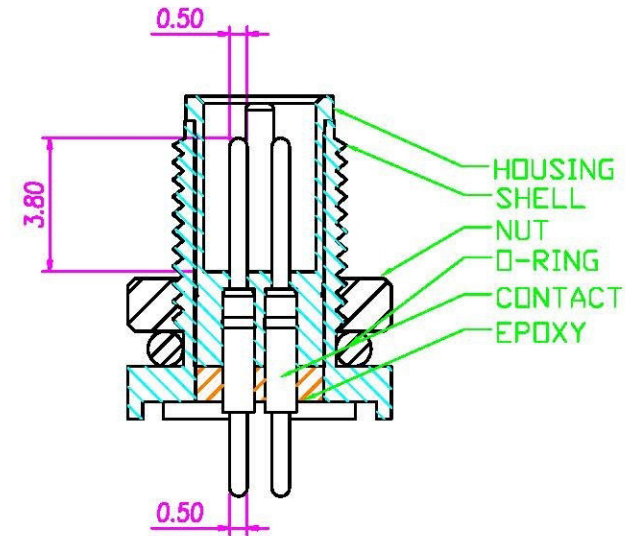
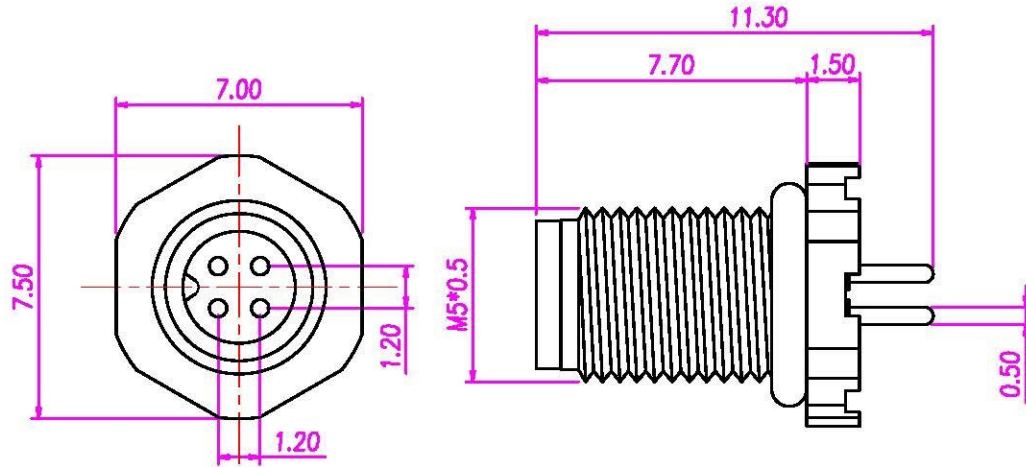


This document is the property of Nan-Yeong Corporation and is delivered on the express condition that it is not to be disclosed, reproduced or used, in whole or in part, for manufacture or sale by anyone other than Nan-Yeong Corporation without its prior consent, and that no right is granted to disclose or to use any information in this document.

CUSTOMER DRAWING

REV.	DESCRIPTION	APPROVED BY	DATE	ECN NO.
A	RELEASE	Fido Veng	22/03/10*	
B				
C				



NUT

RECOMMENDPANEL CUT-OUT

RECOMMENDPANEL PCB

1. MATERIAL :

- 1-1. HOUSING : PBT UL94V-0 ; COLOR : BLACK
- 1-2. CONTACT : BRASS
- 1-3. NUT : BRASS
- 1-4. SHELL : BRASS
- 1-5. O-RING : NBR ; COLOR : BLACK
- 1-6. EPOXY BASE : EF400A & EF400B. COLOR : BLACK

2. FINISH :

- 2-1. CONTACT : GOLD FLISH MICRO INCHES MIN.
- 2-2. NUT : NICKEL PLATED.
- 2-3. SHELL : NICKEL PLATED.

3. ELECTRICAL SPECIFICATION :

- 3-1. Rated current : 1A
- 3-2. Rated Voltage : 60V
- 3-3. Water proof: IP67

4. Environmental :

- 4-1. Operation Temperature : -20 ℃~85℃

DRAWN	Ku Chou	APP'D	Fido Veng	UNIT	mm	TOLERANCE	All connectors		TITLE	M5*0.5 4PIN(M)NBR			SHEET	
CHK'D	Enly Suen			SCALE	1:1	x ±0.20 xx ±0.10 xxx ±0.05 xxxx ±0.03 ANGULA ±1°		www.allconnectors.de Tel.: 0049 711 7009500 70794 Rilderstadt - Germany	info@allconnectors.de Fax: 0049 711 7009504 Kettenstr. 25	PART NO.	WP-04M2-41	DWG NO.	QC4675	VERSION A