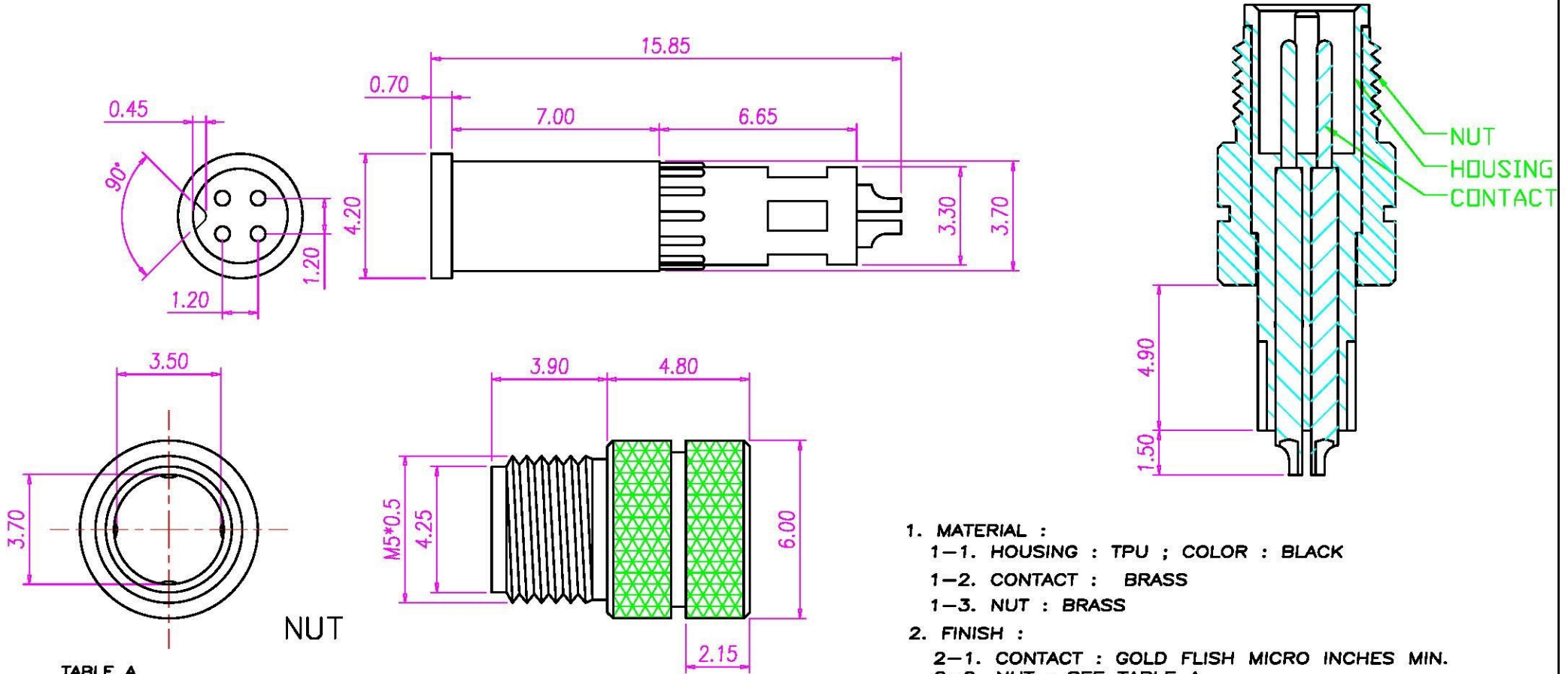


This document is the property of Nian-Yeong Corporation and is delivered on the express condition that it is not to be disclosed, reproduced or used, in whole or in part, for manufacture or sale by anyone other than Nian-Yeong Corporation without its prior consent, and that no right is granted to disclose or to use any information in this document.

CUSTOMER DRAWING

REV.	DESCRIPTION	APPROVED BY	DATE	ECN NO.
A	RELEASE	Fido Veng	28/12/09	
B				
C				



- MATERIAL :**
 - HOUSING : TPU ; COLOR : BLACK
 - CONTACT : BRASS
 - NUT : BRASS
- FINISH :**
 - CONTACT : GOLD FLISH MICRO INCHES MIN.
 - NUT : SEE TABLE A.
- ELECTRICAL SPECIFICATION :**
 - Rated current : 1A
 - Rated Voltage : 60V
 - Water proof: IP67
- Environmental :**
 - Operation Temperature : -20 °C~85°C

TABLE A

			WP-02M2-20	Satin Nickel
			WP-03M2-18	Satin Nickel
			WP-04M2-74	BLACK Cr
			WP-04M2-38	Satin Nickel
4P	3P	2P	PART NO.	PLATED

DRAWN	Ku Chou	APP'D	Fido Veng	UNIT	mm	TOLERANCE			TITLE	M5(M) 插頭與線式			SHEET	
CHK'D	Emily Suen			SCALE	1:1	x ±0.20 xx ±0.10 xxx ±0.05 xxxx ±0.03 ANGULA ±1°			www.allconnectors.com Tel: 0049 711 7009503 70794 Pilsdorfstr. - Germany	info@allconnectors.com Fax: 0049 711 7009204 Bettendorfstr. 25	PART NO.	SEE TABLE A	DWG NO.	