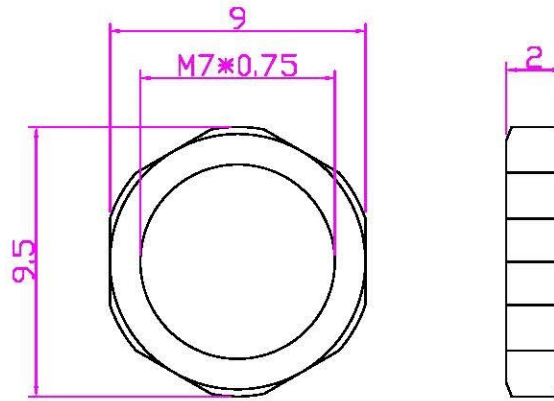
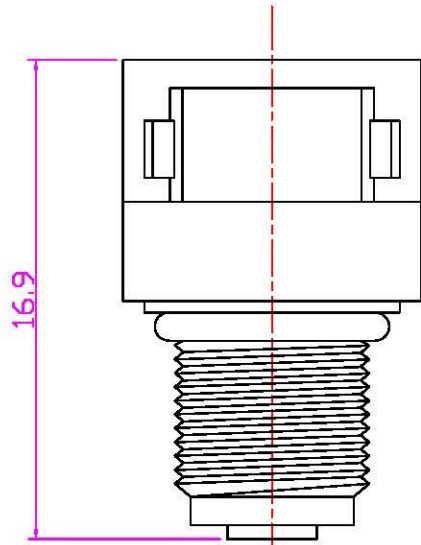


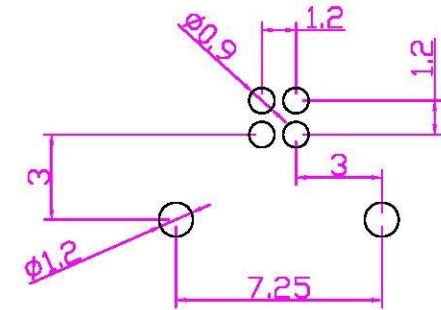
This document is the property of Nan-Yeong Corporation and is delivered on the express condition that it is not to be disclosed, reproduced or used, in whole or in part, for manufacture or sale by anyone other than Nan-Yeong Corporation without its prior consent, and that no right is granted to disclose or to use any information in this document.

CUSTOMER DRAWING

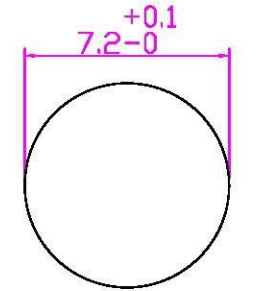
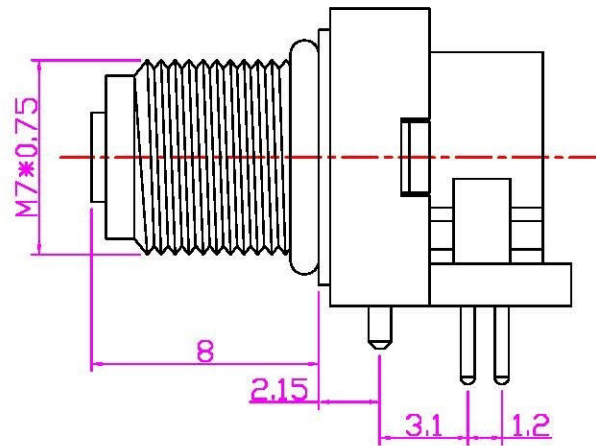
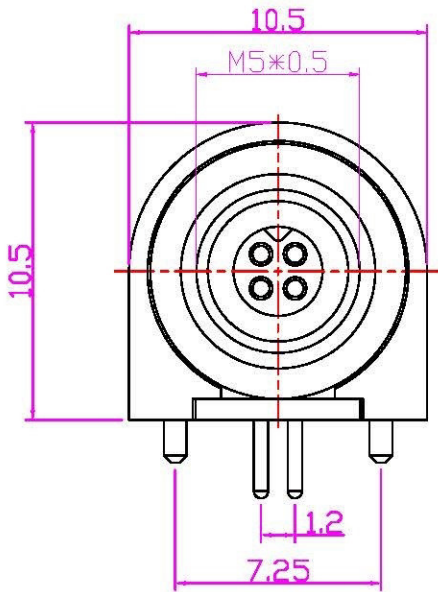
REV.	DESCRIPTION	APPROVED BY	DATE	ECN NO.
A	RELEASE	Fido Weng	22/12/08*	
B				
C				



NUT



P.C.B LAYOUT



PANEL CUT-OUT

NOTE:

- MATERIAL :
 - 1-1. HOUSING : PBT UL94V-0 ; COLOR : BLACK
 - 1-2. CONTACT : BRASS
 - 1-3. NUT : BRASS
 - 1-4. O-RING : NBR ; COLOR : BLACK
 - 1-5. BACK HOUSING : PBT UL94V-0 ; COLOR : BLACK
 - 1-6. DOWN HOUSING : PBT UL94V-0 ; COLOR : BLACK
- FINISH :
 - 2-1. CONTACT : GOLD FLASH ON OVER ALL
UNDER PLATE : NICKEL
 - 2-2. SHELL : STAIN NICKEL 80u"~100u" ON OVER ALL

DRAWN	Yeh Chou	APPEND	Emly Suen	UNIT	MM	TOLERANCE			TITLE	M5*0.5 4PIN(F) 90度				
CHK'D	Emly Suen			SCALE	1:1	.x ±0.20 .xx ±0.10 .xxx ±0.05 .xxxx ±0.03 ANGULA ±1°			www.allconnectors.de Tel: 0049 7024 705204 70724 Tübingen - Germany	info@allconnectors.de Fax: 0049 7024 705204 Kellernstr. 25	PART NO.	WP-04F2-63		DWG NO.