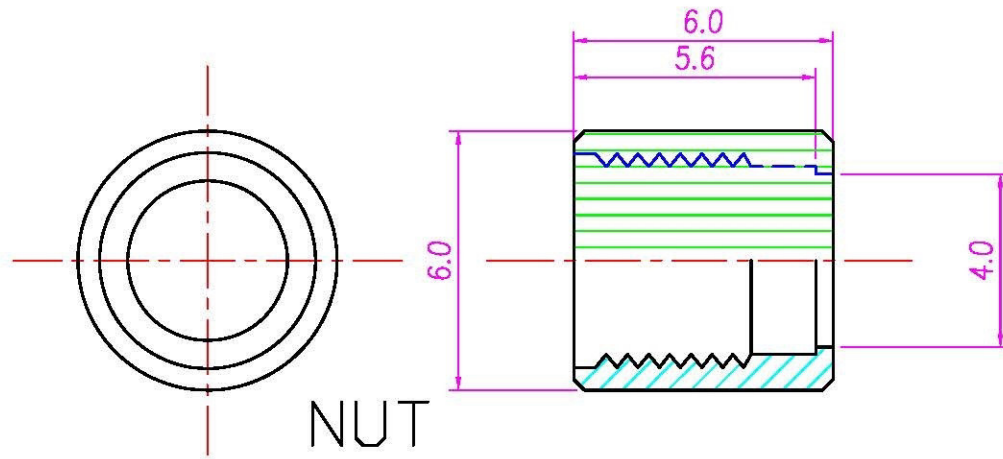
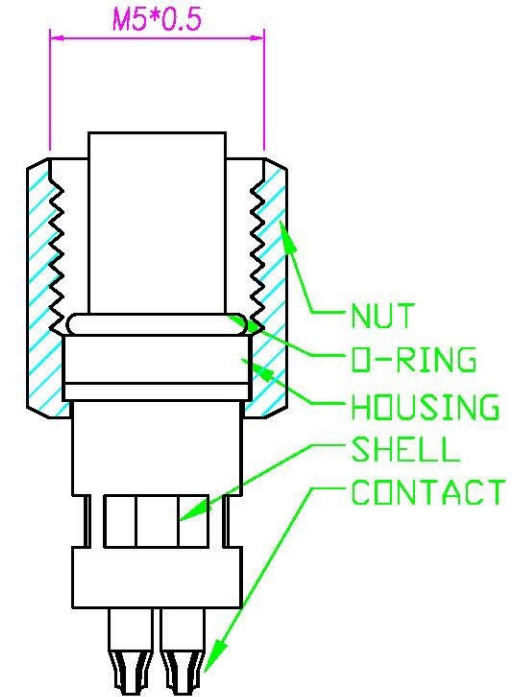
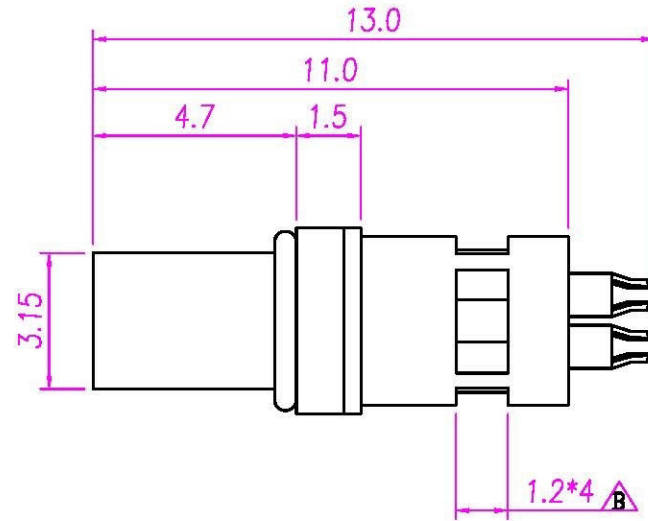
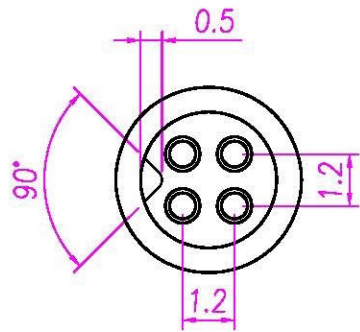


This document is the property of Nian-Yeong Corporation and is delivered on the express condition that it is not to be disclosed, reproduced or used, in whole or in part, for manufacture or sale by anyone other than Nian-Yeong Corporation without its prior consent, and that no right is granted to disclose or to use any information in this document.

CUSTOMER DRAWING

REV.	DESCRIPTION	APPROVED BY	DATE	ECN NO.
A	RELEASE	Fido Weng	01/10/10*	
B	AWR	Emily Suen	15/08/12*	ECN12020
C				



- MATERIAL :
 - 1-1. HOUSING : TPU ; COLOR : BLACK
 - 1-2. CONTACT : PHOSPHOR BRONZE
 - 1-3. NUT : BRASS
 - 1-4. O-RING : NBR ; COLOR : BLACK
 - 1-5. SHELL : BRASS.
- FINISH :
 - 2-1. CONTACT : GOLD FLISH MICRO INCHES MIN.
 - 2-2. NUT : SATING Ni PLATED.
 - 2-3. SHELL : BRIGHT TIN PLATED .
- ELECTRICAL SPECIFICATION :
 - 3-1. Rated current : 1A
 - 3-2. Rated Voltage : 60V
 - 3-3. Water proof : IP67
- Environmental :
 - 4-1. Operation Temperature : -20 ℃~85℃

DRAWN	Ku Chou	APP'D	Emily Suen	UNIT	mm	TOLERANCE			TITLE	M5-4(F) 總機插線式+接地			SHEET	
CHK'D	Emily Suen			SCALE	1:1	.X ±0.20 .XX ±0.10 .XXX ±0.05 .XXXX ±0.03 ANGULA ±1°			www.allconnectors.com TEL: 0086 711 7064563 201524 110erstadt - Germany	info@allconnectors.com Fax: 0049 711 7065501 Keltnerstr. 25	PART NO.	WP-04F2-56	DWG NO.	