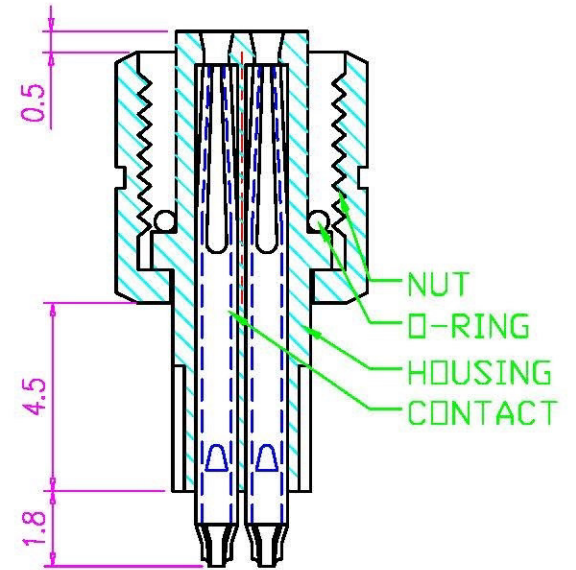
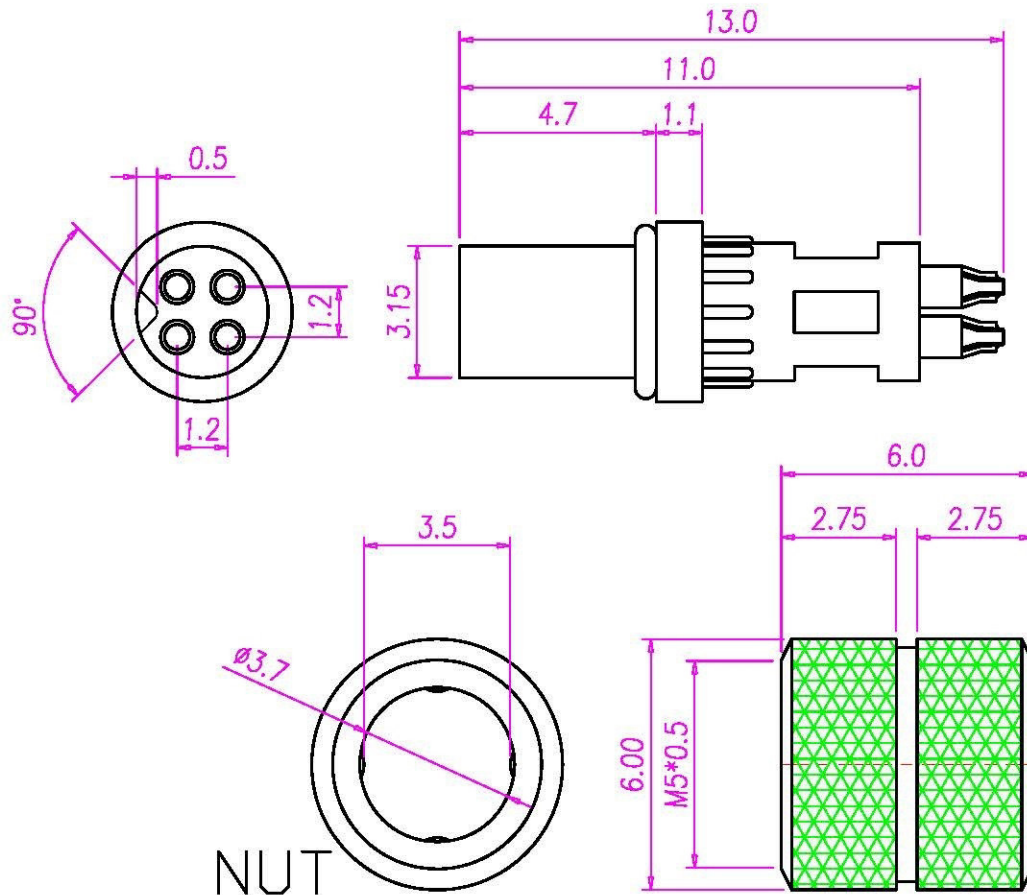


This document is the property of Nan-Yeong Corporation and is delivered on the express condition that it is not to be disclosed, reproduced or used, in whole or in part, for manufacture or sale by anyone other than Nan-Yeong Corporation without its prior consent, and that no right is granted to disclose or to use any information in this document.

CUSTOMER DRAWING

REV.	DESCRIPTION	APPROVED BY	DATE	ECN NO.
A	RELEASE	Fido Veng	17/01/13*	
B				
C				



- MATERIAL :
  - 1-1. HOUSING : TPU ; COLOR : BLACK
  - 1-2. CONTACT : PHOSPHOR BRONZE
  - 1-3. NUT : BRASS
  - 1-4. O-RING : NBR ; COLOR : BLACK
- FINISH :
  - 2-1. CONTACT : GOLD FLISH MICRO INCHES MIN.
  - 2-2. NUT : SEE TABLE A
- ELECTRICAL SPECIFICATION :
  - 3-1. Rated current : 1A
  - 3-2. Rated Voltage : 60V
  - 3-3. Water proof: IP67
- Environmental :
  - 4-1. Operation Temperature : -20 °C~85°C

TABLE A

4P	3P	2P	PART NO.	PLATED
			WP-02F2-21	Satin Nickel
			WP-03F2-34	Satin Nickel
			WP-04F2-82	BLACK NICKEL
			WP-04F2-88	BLACK Cr
			WP-04F2-49	Satin Nickel

DRAWN	Ku Chou	APP'D	Fido Veng	UNIT	mm	TOLERANCE		TITLE	M5(F) 線端插接式		SHEET			
CHK'D	Emily Suen			SCALE	1:1	x ±0.20 xx ±0.10 xxx ±0.05 xxxx ±0.03 ANGULA ±1°		www.allconnectors.de Tel.: 0049 711 7000800 70794 Filderstadt - Germany	info@allconnectors.de Fax: 0049 711 7000604 Kellerstr. 25	PART NO.	SEE TABLE A		DWG NO.	QC4584