

REV.	Description	Date
1	spec. revise	2011/12/21
2	add 3P , 3+4P arrangement	2011/12/26
3	add 2(A)P arrangement	2012/3/29

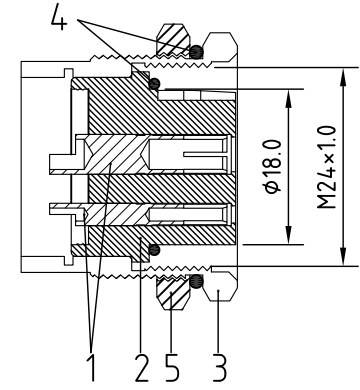
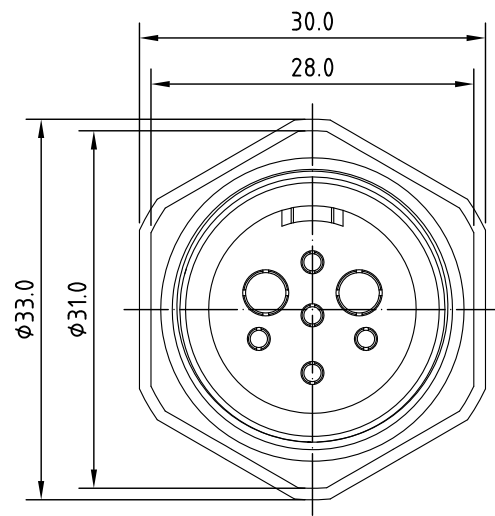
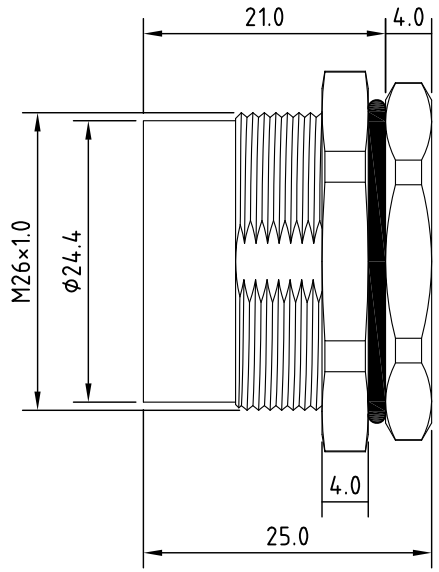
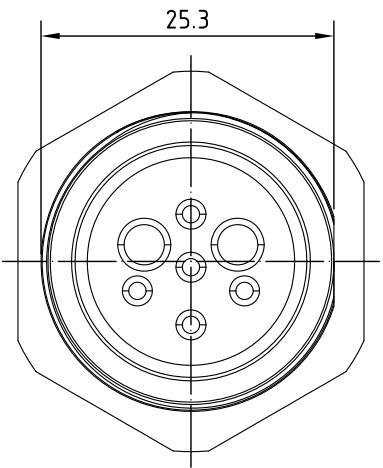
### Specification of connector

#### General Characteristics

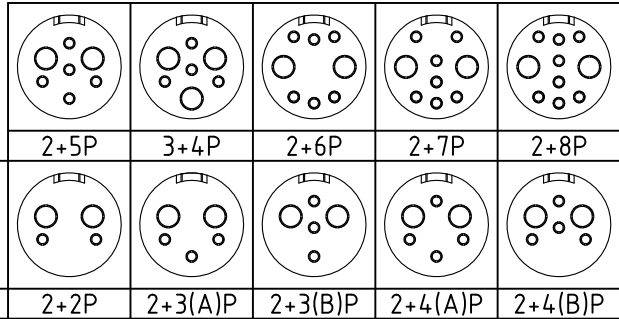
Locking system : screw M24  
 Shell protection : IP67

#### Electronical Characteristics

Rated voltage : 250V  
 Rated current : Large pin 40A  
                               : Small pin 10A  
 Contact resistance : Large pin <1mΩ  
                               : Small pin <3mΩ  
 Insertion force : <5N  
 Withdrawal force : <7N



RoHS  
 LEAD FREE  
 TOLERANCE .X±0.25 .XX±0.10



CONTACT ARRANGEMENT FRONT VIEW (FEMALE)	2P	2(A)P	2+1P	3P	2+2P	2+3(A)P	2+3(B)P	2+4(A)P	2+4(B)P

Item	Description	Material	Treat
5	Screw nut	Brass	Chromium Ptd.
4	O ring	Rubber	
3	Shell	Brass	Chromium Ptd.
2	Body	PA	
1	PIN	Brass	Gold Ptd.



www.allconnectors.eu | info@allconnectors.eu  
 Tel. +49 (0)711 / 358 110 20 | Fax +49 (0)711 / 358 110 25

DATE	3/29/2012	PART NO.	SD259F2-XP
DWN	GINA	REV.	3
CHK			
ITEM	Sensor Connector M24	UNIT	MM