

REV.	Description	Date
1	spec. revise	2011/12/21
2	add 3P , 3+4P arrangement	2011/12/26
3	add 2(A)P arrangement	2012/3/29

### Specification of connector

#### General Characteristics

Locking system : screw M24  
 Shell protection : IP67

#### Electrical Characteristics

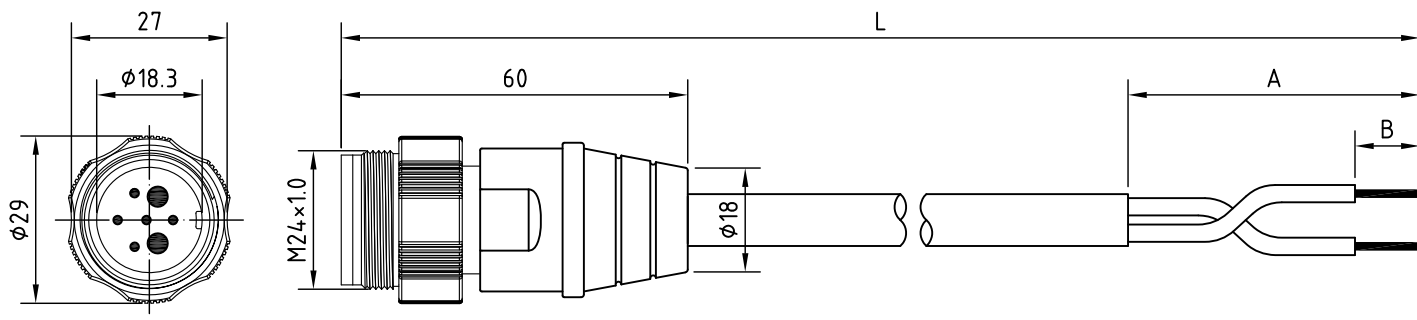
Rated voltage : 250V  
 Rated current : Large pin 40A  
                               : Small pin 10A  
 Contact resistance : Large pin <1mΩ  
                               : Small pin <3mΩ  
 Insertion force : <5N  
 Withdrawal force : <7N

#### Materials

Pin contact : brass  
 Contact plating : gold  
 Male insert : PA  
 Ring nut : chromium plated

### Specification of cable

Material Jacket	PVC	PUR
-----------------	-----	-----



RoHS  
 LEAD FREE

CONTACT ARRANGEMENT FRONT VIEW (MALE)	2P	2(A)P	2+1P	3P	2+2P	2+3(A)P	2+3(B)P	2+4(A)P	2+4(B)P	2+5P	3+4P	2+6P	2+7P	2+8P

**Allconnectors**  
[www.allconnectors.eu](http://www.allconnectors.eu) | [info@allconnectors.eu](mailto:info@allconnectors.eu)  
 Tel. +49 (0)711 / 358 110 20 | Fax +49 (0)711 / 358 110 25

DATE	3/29/2012	PART NO.	D259M3-XP
DWN	GINA	REV.	3
CHK			
ITEM	High Power M24	UNIT	MM