

REV.	Description	Date
1	spec. revise	2011/12/21
2	add 3P , 3+4P arrangement	2011/12/26
3	add 2(A)P arrangement	2012/3/29

Specification of connector

General Characteristics

Locking system : screw M24
Shell protection : IP67

Electrical Characteristics

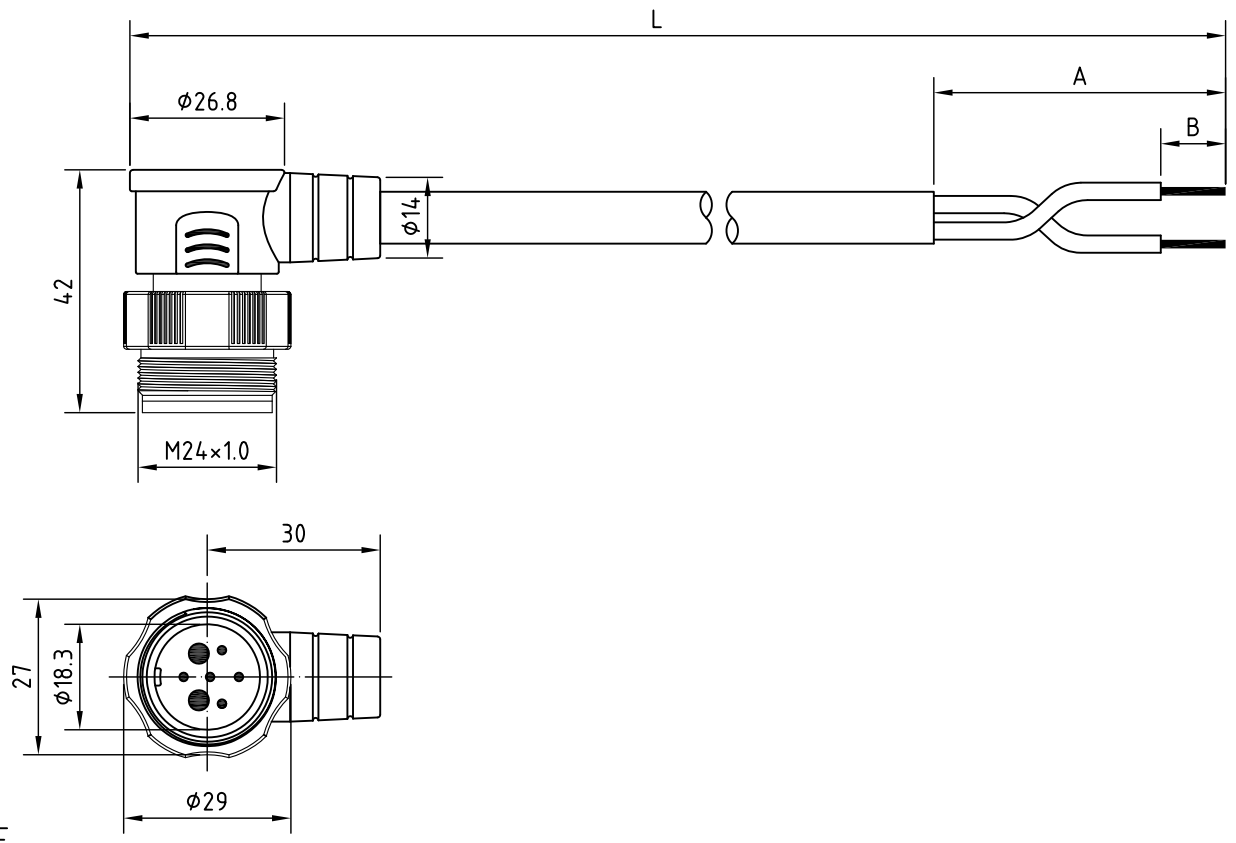
Rated voltage : 250V
Rated current : Large pin 40A
: Small pin 10A
Contact resistance : Large pin <1mΩ
: Small pin <5mΩ
Insertion force : <5N
Withdrawal force : <7N

Materials

Pin contact : brass
Contact plating : gold
Male insert : PA
Ring nut : PA

Specification of cable

Material Jacket	PVC	PUR
-----------------	-----	-----



RoHS
LEAD FREE

CONTACT ARRANGEMENT FRONT VIEW (MALE)	2P	2(A)P	2+1P	3P	2+2P	2+3(A)P	2+3(B)P	2+4(A)P	2+4(B)P	2+5P	3+4P	2+6P	2+7P	2+8P

All Connectors
www.allconnectors.eu | info@allconnectors.eu
Tel. +49 (0)711 / 358 110 20 | Fax +49 (0)711 / 358 110 25

DATE	3/29/2012	PART NO.	D258M4-XP
DWN	GINA	REV.	3
CHK			
UNIT	MM		

ITEM	High Power M24
------	----------------