

REV.	Description	Date

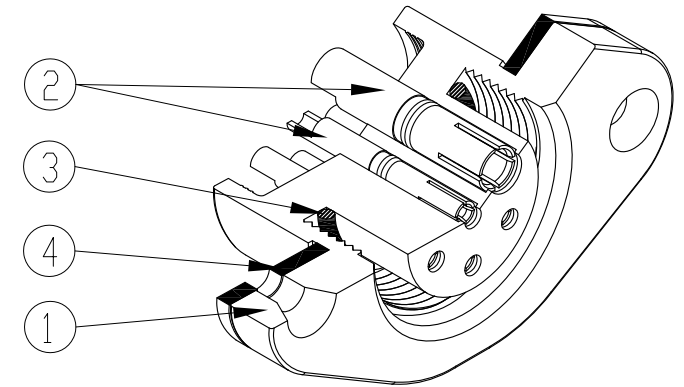
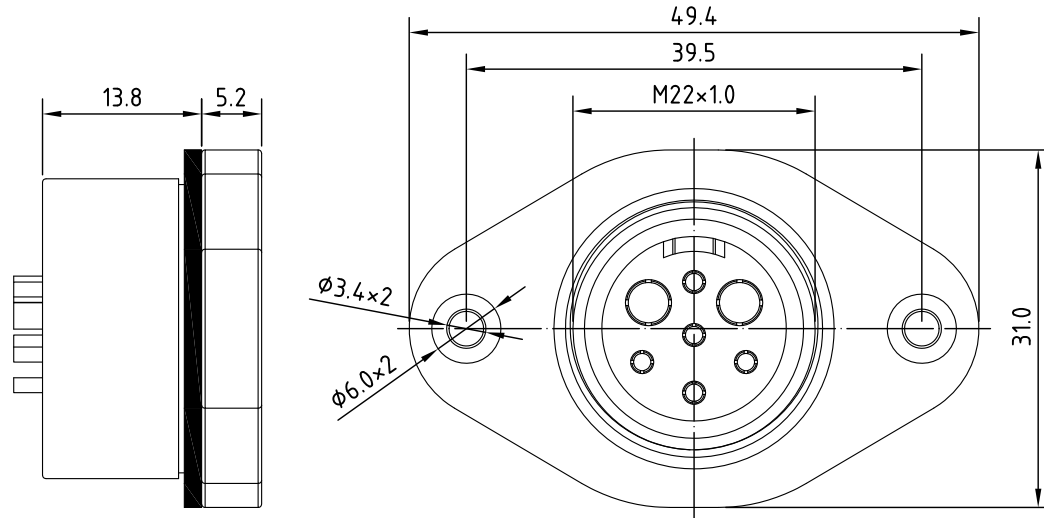
### Specification of connector

#### General Characteristics

Locking system : screw M22  
 Shell protection : IP67

#### Electronical Characteristics

Rated voltage : 250V  
 Rated current : Large pin 40A  
                   : Small pin 10A  
 Contact resistance : Large pin <1mΩ  
                       : Small pin <3mΩ  
 Insertion force : <5N  
 Withdrawal force : <7N



RoHS

LEAD FREE

TOLERANCE .X±0.25 .XX±0.10

CONTACT ARRANGEMENT FRONT VIEW (FEMALE)	2P	2+1P	2+2P	2+3(A)P	2+3(B)P	2+4(A)P	2+4(B)P	2+5P

4	Pad	Rubber	
3	O ring	Rubber	
2	Pin	Brass	Gold plated
1	Body	PA	
Item	Description	Material	Treat & Remark

# All Connectors

www.allconnectors.eu | info@allconnectors.eu  
 Tel. +49 (0)711 / 358 110 20 | Fax +49 (0)711 / 358 110 25

DATE	12/23/2011	PART NO.	SD259F4-XP
DWN	GINA	REV.	0
CHK			
ITEM	High Power M22	UNIT	MM