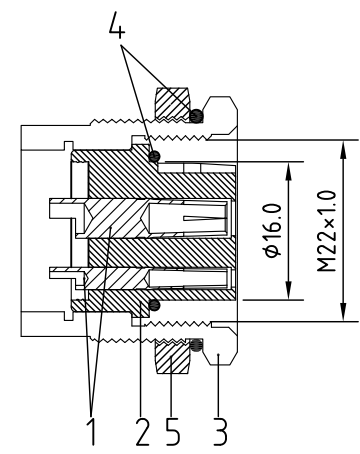
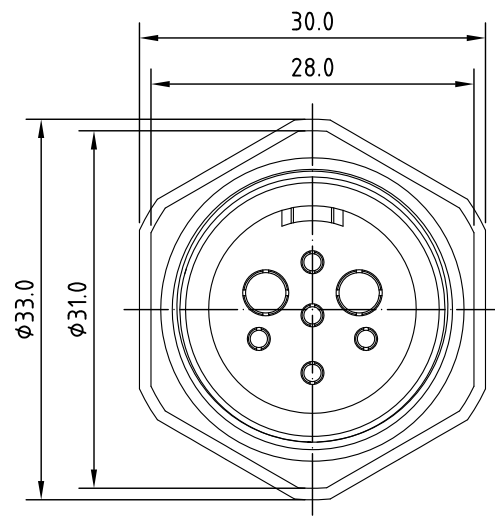
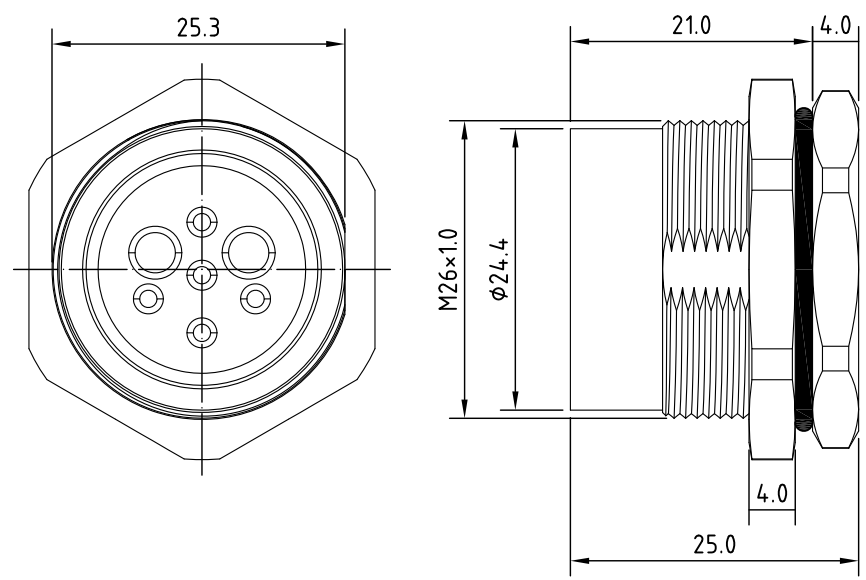


REV.	Description	Date
1	spec. revise	2011/12/21

Specification of connector

General Characteristics
 Locking system : screw M22
 Shell protection : IP67

Electronical Characteristics
 Rated voltage : 250V
 Rated current : Large pin 40A
 Small pin 10A
 Contact resistance : Large pin <1mΩ
 Small pin <3mΩ
 Insertion force : <5N
 Withdrawal force : <7N



RoHS
 LEAD FREE
 TOLERANCE .X±0.25 .XX±0.10

CONTACT ARRANGEMENT FRONT VIEW (FEMALE)								
	2P	2+1P	2+2P	2+3(A)P	2+3(B)P	2+4(A)P	2+4(B)P	2+5P

5	Screw nut	Brass	Chromium Ptd.
4	O ring	Rubber	
3	Shell	Brass	Chromium Ptd.
2	Body	PA	
1	PIN	Brass	Gold Ptd.
Item	Description	Material	Treat

Allconnectors
 www.allconnectors.eu | info@allconnectors.eu
 Tel. +49 (0)711 / 358 110 20 | Fax +49 (0)711 / 358 110 25

DATE	12/21/2011	PART NO.	SD259F1-XP
DWN	GINA	REV.	1
CHK			
UNIT	MM		

ITEM	Sensor Connector M22
------	----------------------