

REV.	Description	Date
1	spec. revise	2011/12/21

Specification of connector

General Characteristics

Locking system : screw M22
 Shell protection : IP67

Electrical Characteristics

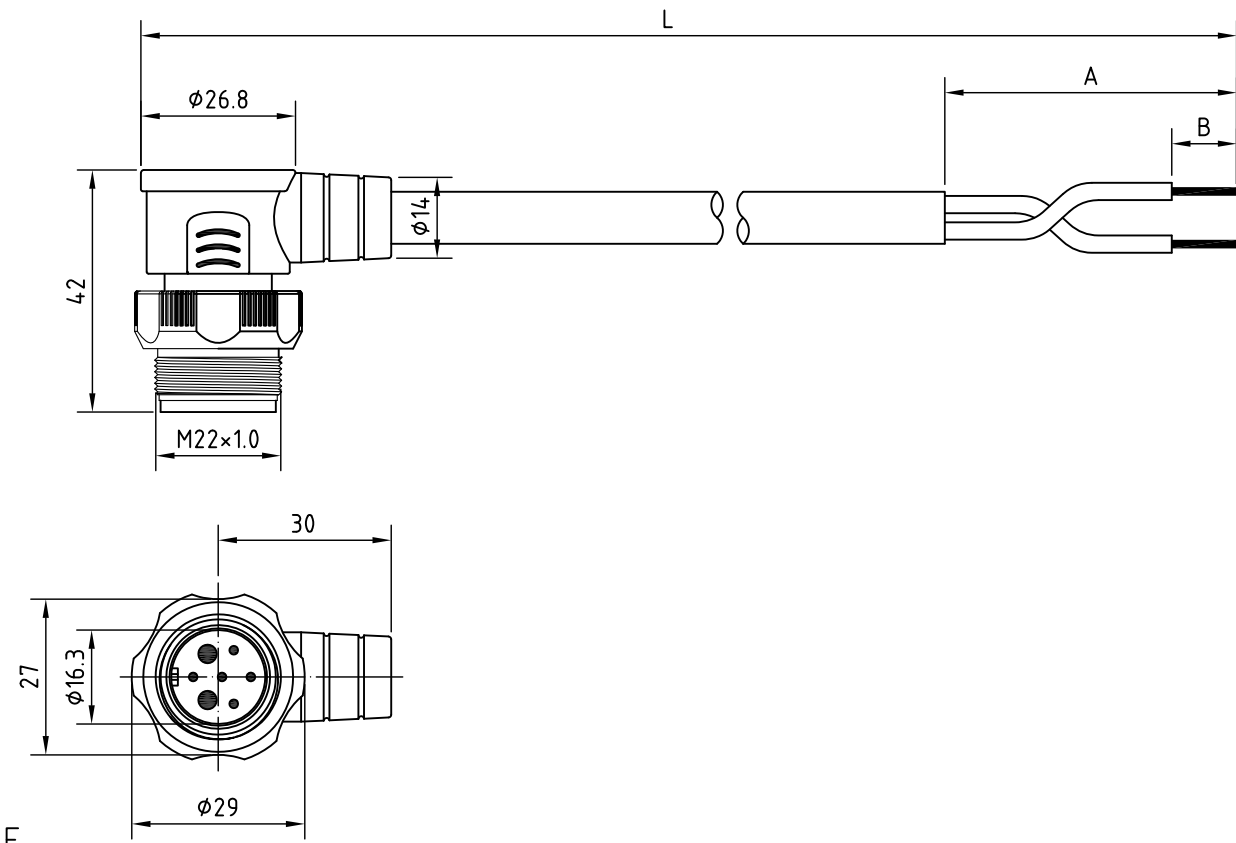
Rated voltage : 250V
 Rated current : Large pin 40A
 : Small pin 10A
 Contact resistance : Large pin <1mΩ
 : Small pin <3mΩ
 Insertion force : <5N
 Withdrawal force : <7N

Materials

Pin contact : brass
 Contact plating : gold
 Male insert : PA
 Ring nut : PA

Specification of cable

Material Jacket	PVC	PUR
-----------------	-----	-----



RoHS
LEAD FREE

CONTACT ARRANGEMENT FRONT VIEW (MALE)	2P	2+1P	2+2P	2+3(A)P	2+3(B)P	2+4(A)P	2+4(B)P	2+5P



www.allconnectors.eu | info@allconnectors.eu
 Tel. +49 (0)711 / 358 110 20 | Fax +49 (0)711 / 358 110 25

ITEM	High Power M22	DATE	12/21/2011	PART NO.	D258M2-XP
		DWN	GINA	REV.	1
		CHK			
UNIT		MM			