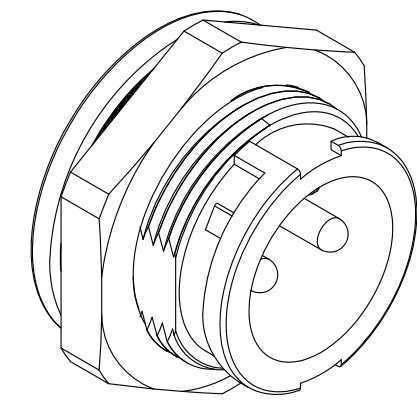
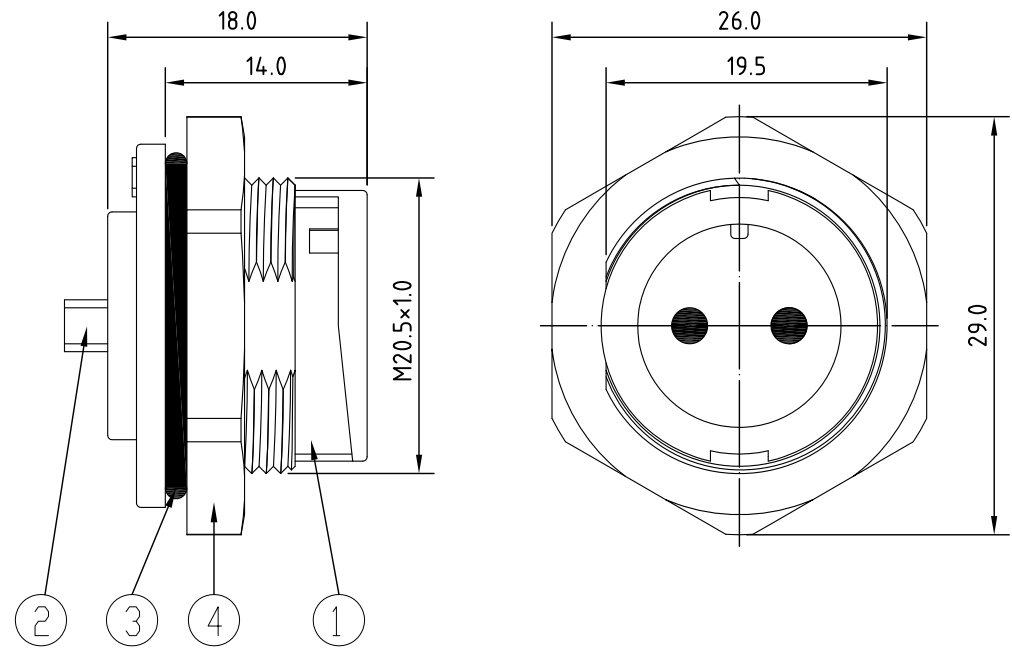


REV.	Description	Date



RoHS
 LEAD FREE
 TOLERANCE .X±0.25 .XX±0.10

CONTACT ARRANGEMENT FRONT VIEW (MALE)	2P	3P	4P	5P	6P	7P	8P	2+8P

4	Nut	PA	
3	O ring	Rubber	
2	Pin	Brass	Nickel plated
1	Body	PA	
Item	Description	Material	Treat & Remark
	DATE	3/26/2012	PART NO. SD264F3-XP
	DWN	GINA	REV. 0
	CHK		
ITEM	Sensor Connector M20.5	UNIT	MM

Allconnectors
 www.allconnectors.eu | info@allconnectors.eu
 Tel. +49 (0)711 / 358 110 20 | Fax +49 (0)711 / 358 110 25