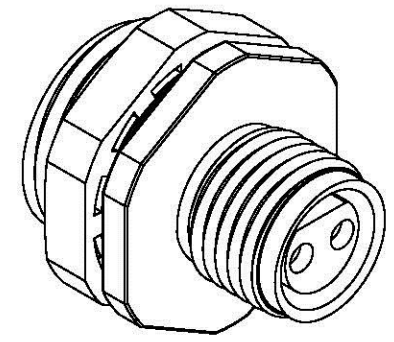
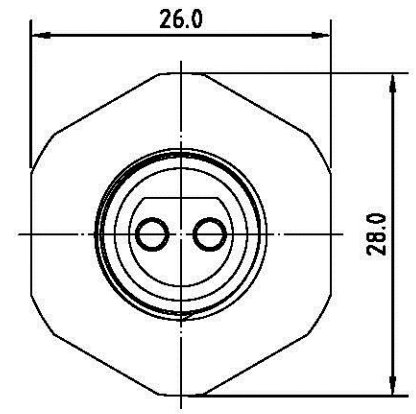
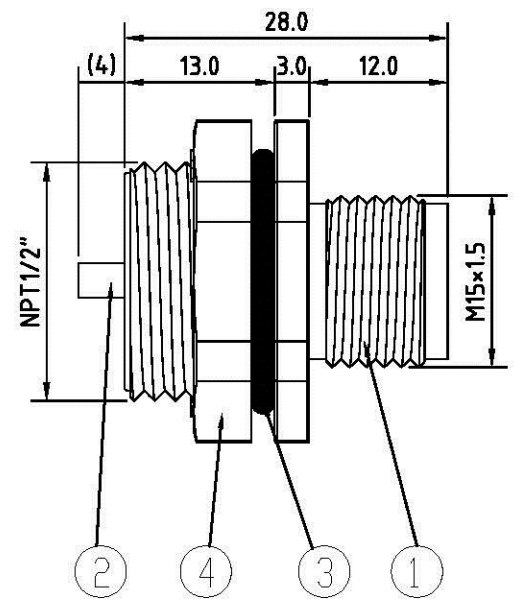


REV.	Description	Date

Specification of connector

Locking system : screw M15
 Termination : solder
 Shell protection : IP68
 Rated voltage : 250V
 Rated current : 12A
 Contact resistance : $\leq 10\text{m}\Omega$
 Insulation resistance : $>10\text{M}\Omega$



RoHS
 LEAD FREE
 TOLERANCE .X \pm 0.25 .XX \pm 0.10

4	Nut	PA	
3	O ring	Rubber	
2	Pin	Brass	Nickel plated
1	Body	PA	UL94V-0
Item	Description	Material	Treat & Remark

Allconnectors

www.allconnectors.de
 Tel.: 0049 711 7009503
 70794 Filderstadt - Germany

info@allconnectors.de
 Fax: 0049 711 7009504
 Kettenerstr. 25

DATE	6/13/2012	PART NO.	UT-SD2241-2P-N
DWN	GINA	REV.	0
CHK			
UNIT	MM		

ITEM	Sensor Connector M15
------	----------------------