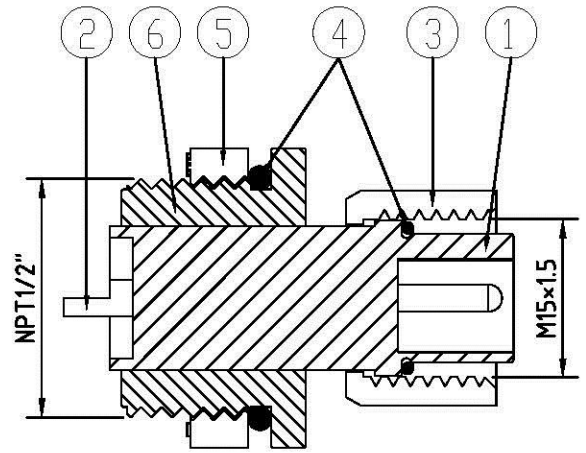
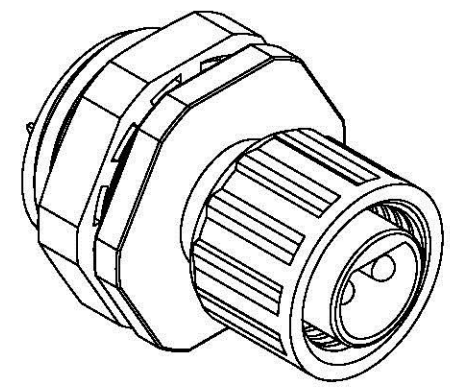
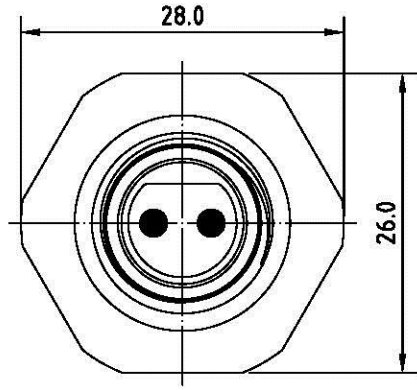
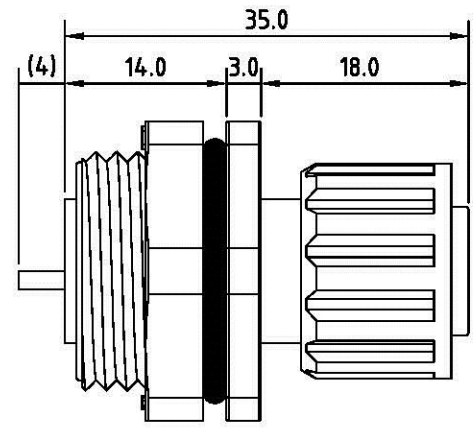


REV.	Description	Date



### Specification of connector

- Locking system : screw M15
- Termination : solder
- Shell protection : IP68
- Rated voltage : 250V
- Rated current : 12A
- Contact resistance :  $\leq 10\text{m}\Omega$
- Insulation resistance :  $>10\text{M}\Omega$



RoHS  
LEAD FREE  
TOLERANCE .X $\pm$ 0.25 .XX $\pm$ 0.10

6	Mold	PVC	
5	Nut	PA	
4	O ring	Rubber	
3	Ring nut	PA	
2	Pin	Brass	Nickel plated
1	Housing	PA	UL94V-0
Item	Description	Material	Treat & Remark

**Allconnectors**

www.allconnectors.de  
Tel.: 0049 711 7009503  
70794 Filderstadt - Germany

info@allconnectors.de  
Fax: 0049 711 7009504  
Kettnerstr. 25

DATE	6/13/2012	PART NO.	UT-SD224-2P-N
DWN	GINA	REV.	0
CHK			
UNIT	MM		

ITEM	Sensor Connector M15
------	----------------------