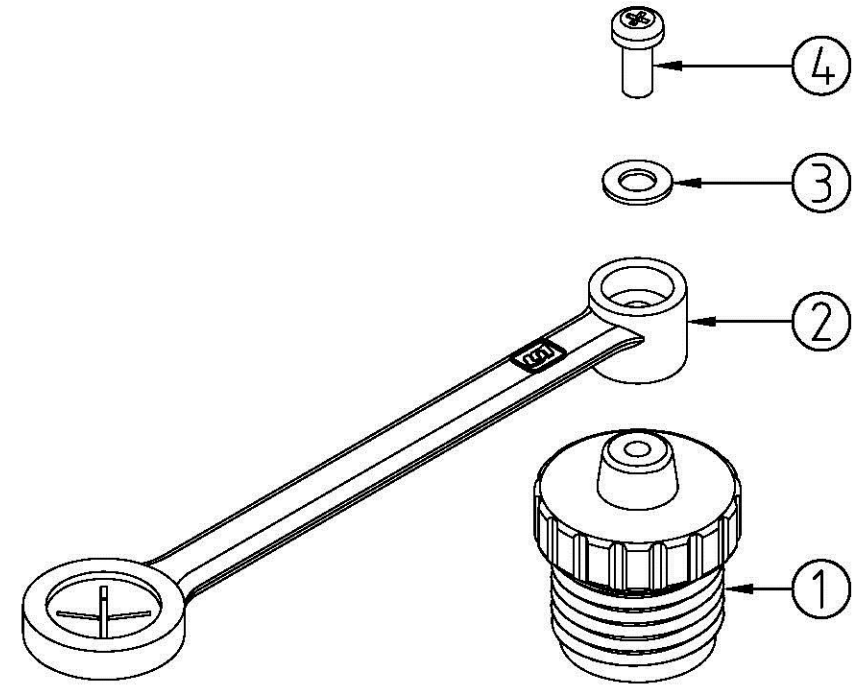
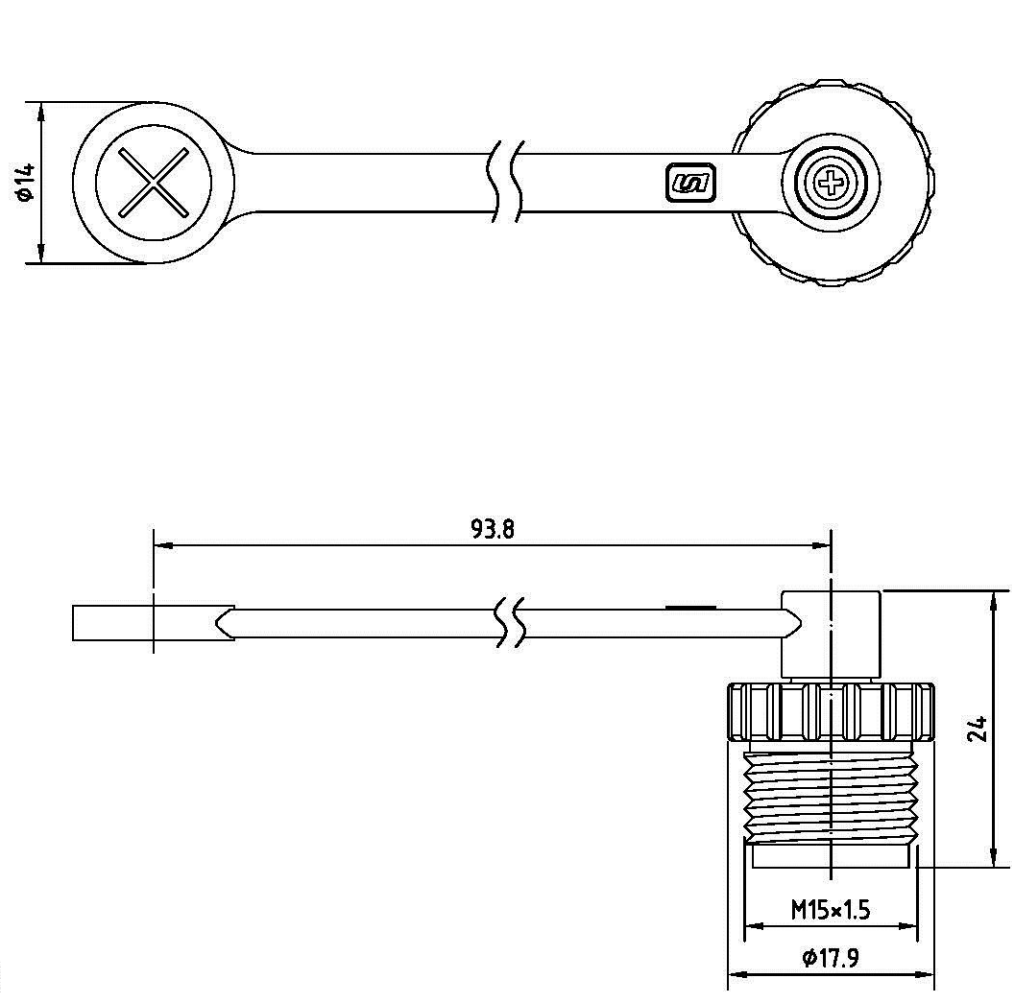


REV.	Description	Date
1	upgrade drawing	2014/3/1



RoHS
LEAD FREE
TOLERANCE X±0.5 .X±0.3

4	Screw	SUS	
3	Washer	SUS	
2	Cable tie	PVC	
1	Body	PP	
Item	Description	Material	Treat & Remark

Allconnectors

www.allconnectors.de
Tel.: 0049 711 7009503
70794 Filderstadt - Germany

info@allconnectors.de
Fax: 0049 711 7009504
Kettnerstr. 25

DATE	2014/3/1	PART NO.	UT-275C-26
DWN	GINA	REV.	1
CHK			
UNIT	MM		

ITEM	Waterproof Cap
------	----------------