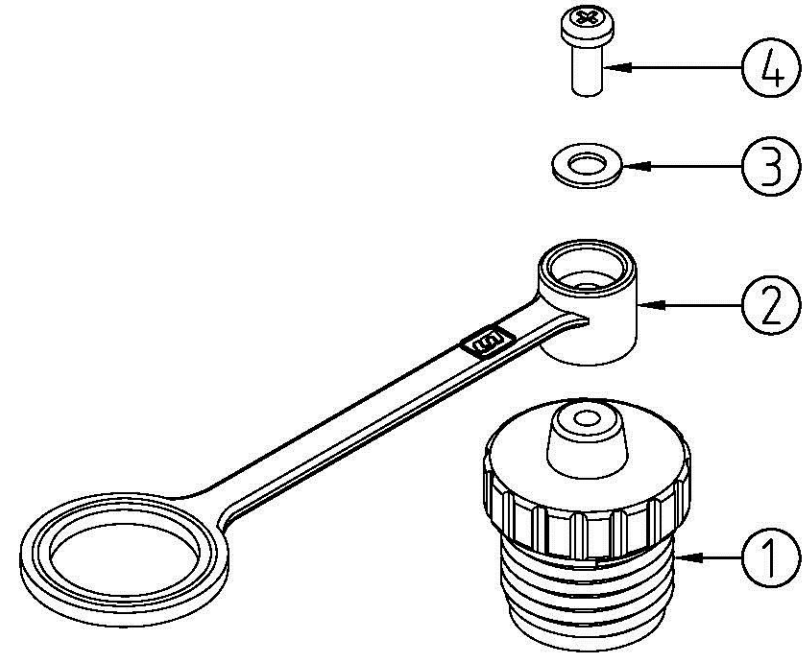
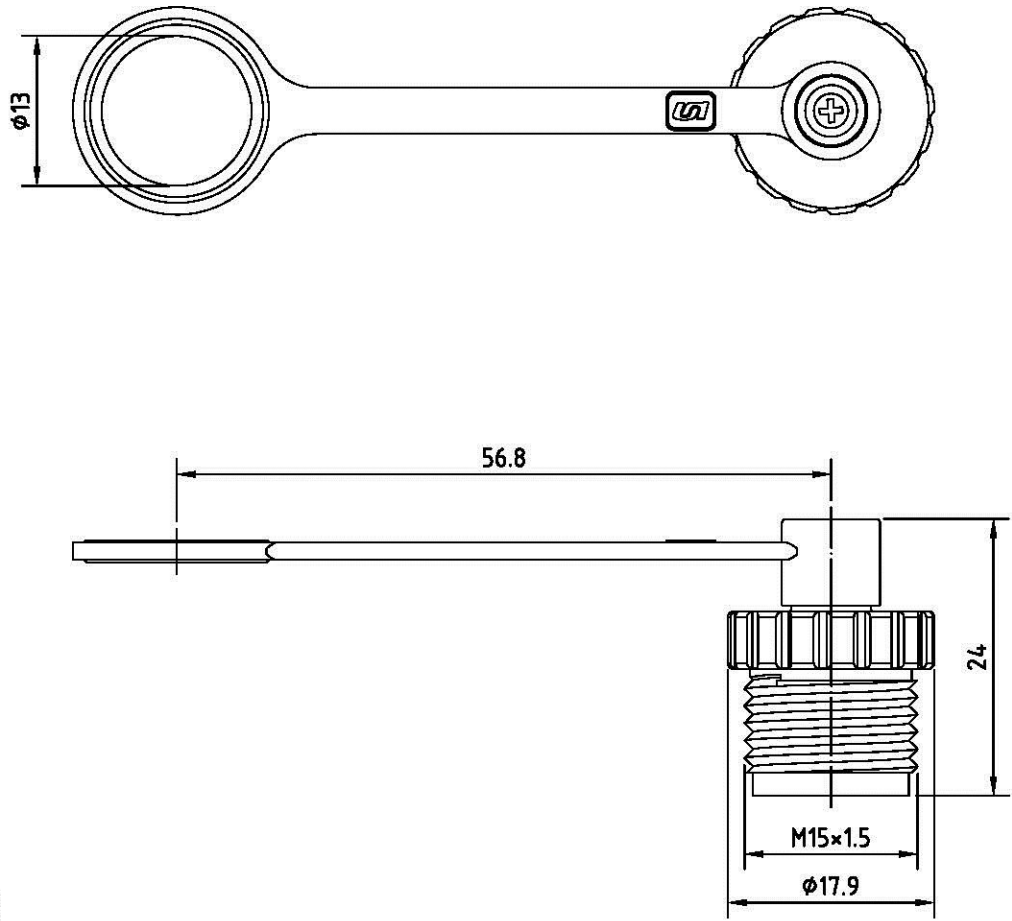


| REV. | Description | Date |
|------|-----------------|----------|
| 1 | upgrade drawing | 2014/3/1 |



RoHS
LEAD FREE
TOLERANCE X±0.5 .X±0.3

| 4 | Screw | SUS | |
|------|-------------|----------|----------------|
| 3 | Washer | SUS | |
| 2 | Cable tie | PVC | |
| 1 | Body | PP | |
| Item | Description | Material | Treat & Remark |

Allconnectors

www.allconnectors.de
Tel.: 0049 711 7009503
70794 Filderstadt - Germany

info@allconnectors.de
Fax: 0049 711 7009504
Kettenerstr. 25

| | | | |
|------|----------------|----------|------------|
| DATE | 2014/3/1 | PART NO. | UT-275C-25 |
| DWN | GINA | REV. | 1 |
| CHK | | | |
| ITEM | Waterproof Cap | UNIT | MM |