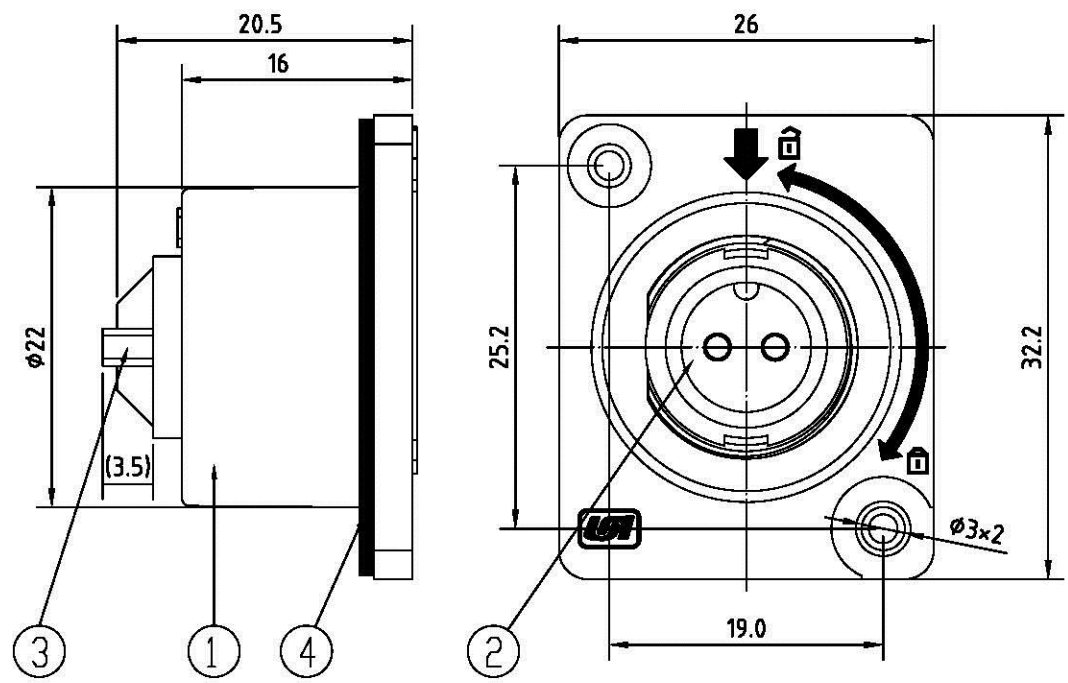


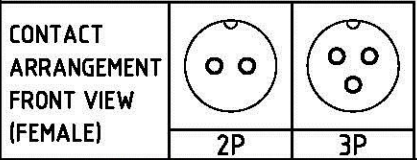
REV.	Description	Date

### Specification of connector

- Locking system : Push and Lock
- Termination : solder
- Shell protection : IP68
- Rated voltage : 250V
- Rated current : 10A
- Contact resistance :  $\leq 10\text{m}\Omega$
- Insulation resistance :  $>10\text{M}\Omega$



RoHS  
LEAD FREE  
TOLERANCE  $X \pm 0.5$   $X.X \pm 0.3$



4	Pad	Rubber	
3	Pin	Brass	Gold plated
2	Body	PA	
1	Cover	PA	
Item	Description	Material	Treat & Remark

**Allconnectors**

www.allconnectors.de  
Tel.: 0049 711 7009503  
70794 Filderstadt - Germany

info@allconnectors.de  
Fax: 0049 711 7009504  
Kettnerstr. 25

DATE	2012/12/25	PART NO.	UT-SD210M3S-XP
DWN	GINA	REV.	0
CHK			
UNIT	MM		

ITEM	Sensor Connector M15.5
------	------------------------