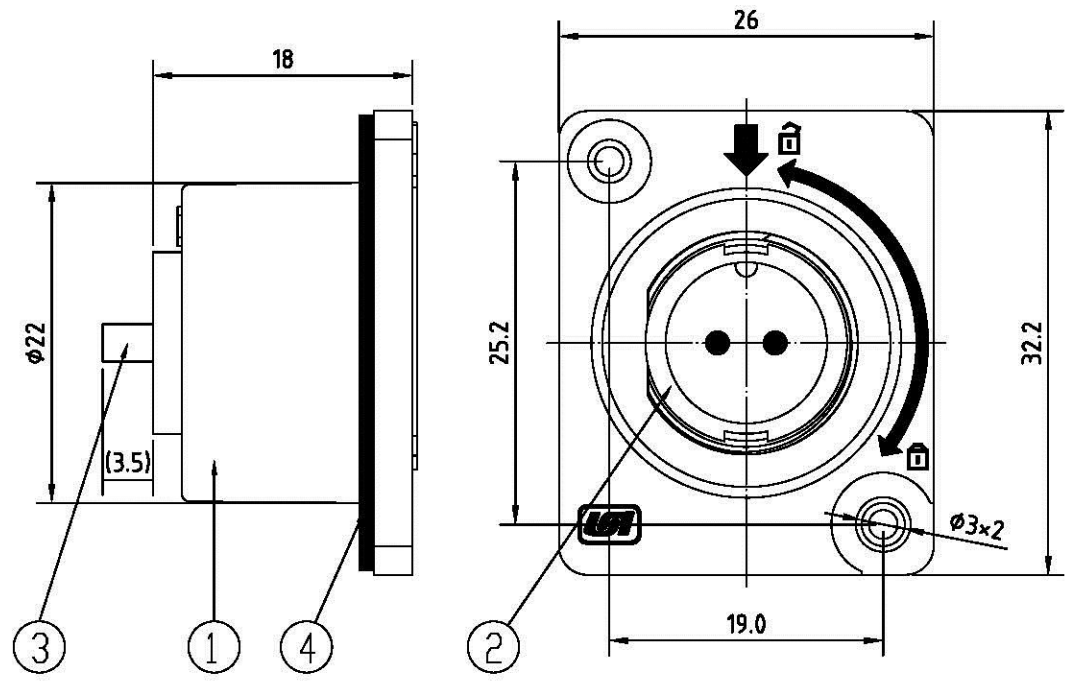


REV.	Description	Date
1	upgrade drawing	2014/3/24



Specification of connector

- General Characteristics**
- Locking system : Push and Lock
 - Termination : solder
 - Shell protection : IP68
 - Contact resistance : $\leq 10m\Omega$
 - Insulation resistance : $\geq 10M\Omega$

RoHS
LEAD FREE
TOLERANCE X \pm 0.5 X.X \pm 0.3

CONTACT ARRANGEMENT FRONT VIEW (MALE)	2P	3P	4AP
Rated voltage	250V		
Rated current	10A		

CONTACT ARRANGEMENT FRONT VIEW (MALE)	4BP	5P	6P	7P	8P	10P	12P
Rated voltage	250V		125V			60V	
Rated current	5A			2A			

Item	Description	Material	Treat & Remark
4	Pad	Rubber	
3	Pin	Brass	Gold plated
2	Body	PA	
1	Cover	PA	



www.allconnectors.de
Tel.: 0049 711 7009503
70794 Filderstadt - Germany

info@allconnectors.de
Fax: 0049 711 7009504
Kettnerstr. 25

DATE	2014/3/24	PART NO.	UT-SD210F3S-XP
DWN	GINA	REV.	1
CHK			
UNIT	MM		

ITEM	Sensor Connector M15.5
------	------------------------