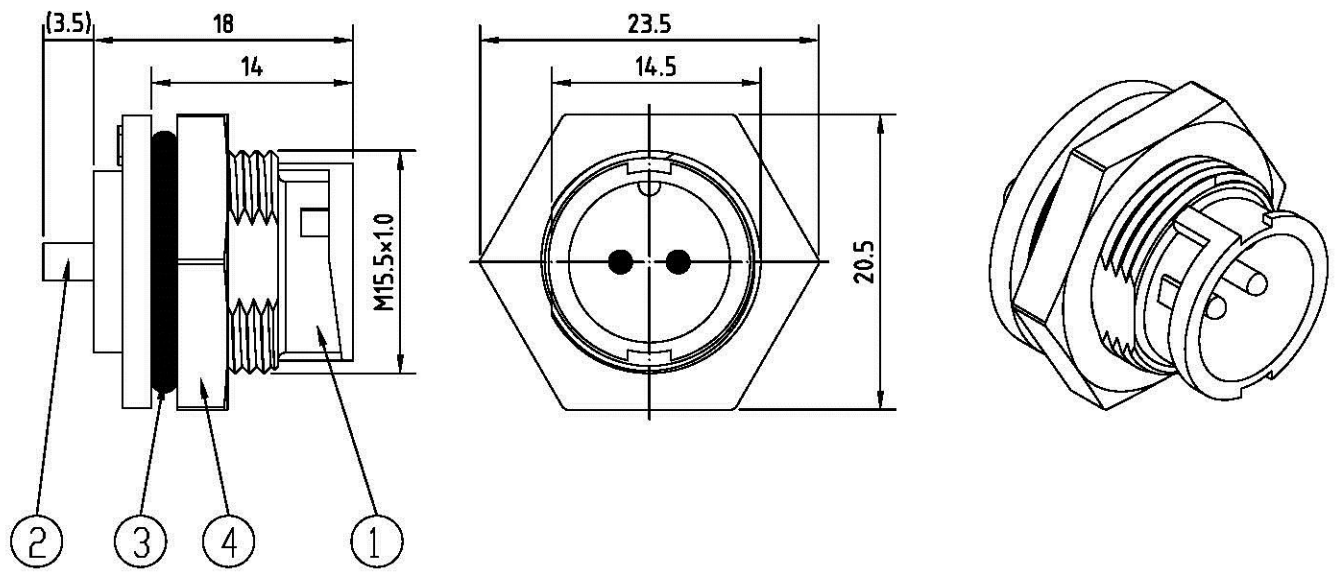


REV.	Description	Date
1	upgrade drawing	2014/3/24



### Specification of connector

- General Characteristics**
- Locking system : Push and Lock
  - Termination : solder
  - Shell protection : IP68
  - Contact resistance :  $\leq 10\text{m}\Omega$
  - Insulation resistance :  $\geq 10\text{M}\Omega$

RoHS  
LEAD FREE  
TOLERANCE X $\pm$ 0.5 X.X $\pm$ 0.3

CONTACT ARRANGEMENT FRONT VIEW (MALE)	2P	3P	4AP
Rated voltage	250V		
Rated current	10A		

CONTACT ARRANGEMENT FRONT VIEW (MALE)	4BP	5P	6P	7P	8P	10P	12P
Rated voltage	250V	125V			60V		
Rated current	5A			2A			

Item	Description	Material	Treat & Remark
4	Nut	PA	
3	O ring	Rubber	
2	Pin	Brass	Gold plated
1	Body	PA	



www.allconnectors.de  
Tel.: 0049 711 7009503  
70794 Filderstadt - Germany

info@allconnectors.de  
Fax: 0049 711 7009504  
Kettnerstr. 25

DATE	2014/3/24	PART NO.	UT-SD210F3-XP-01
DWN	GINA	REV.	1
CHK			
UNIT	MM		

ITEM	Sensor Connector M15.5
------	------------------------