

REV.	Description	Date
1	upgrade drawing	2014/3/17

Specification of connector

General Characteristics

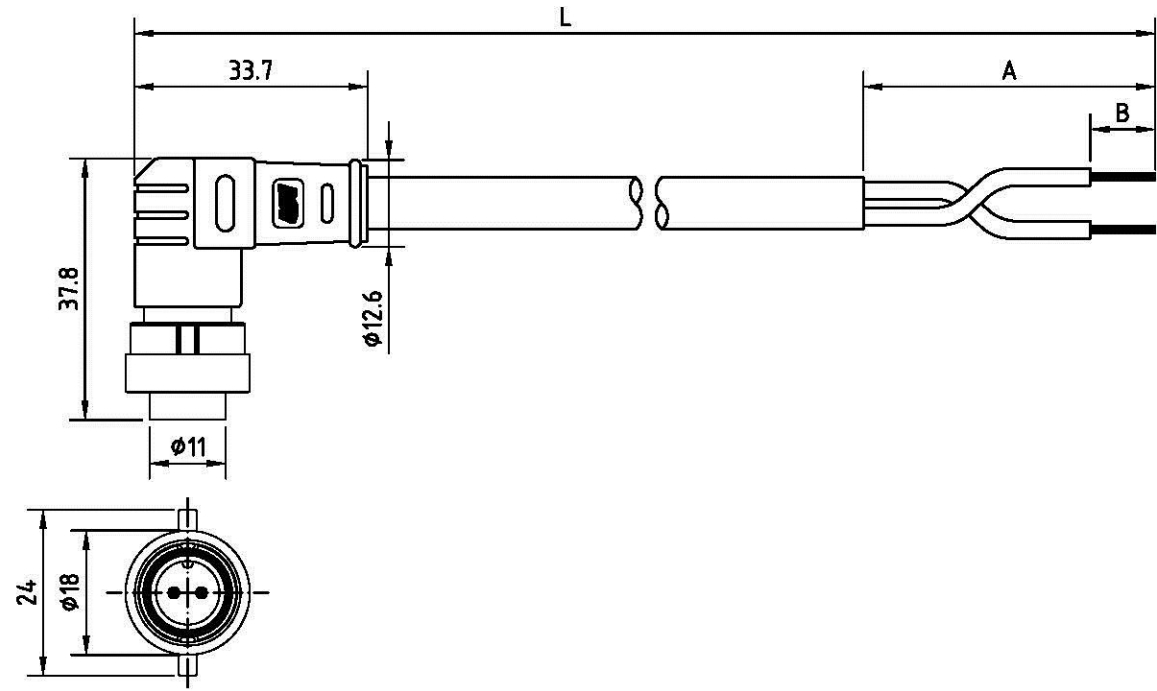
- Locking system : Push and Lock
- Termination : solder
- Shell protection : IP68
- Contact resistance : $\leq 10m\Omega$
- Insulation resistance : $\geq 10M\Omega$

Materials

- Pin contact : brass
- Contact plating : gold
- Male insert : PA
- Ring nut : PA
- O-ring : rubber

Specification of cable

Material Jacket	PVC	PUR



RoHS
LEAD FREE

CONTACT ARRANGEMENT FRONT VIEW (MALE)	2P	3P
Rated voltage	250V	
Rated current	10A	

Allconnectors
www.allconnectors.de
 Tel.: 0049 711 7009503
 70794 Filderstadt - Germany

info@allconnectors.de
 Fax: 0049 711 7009504
 Kettenerstr. 25

DATE	2014/3/17	PART NO.	UT-D231M4-2S-XP
DWN	GINA	REV.	1
CHK			
UNIT	MM		

ITEM	Sensor Connector M15.5
------	------------------------