

REV.	Description	Date
1	spec. revise	2012/11/12
2	upgrade drawing	2014/3/17

Specification of connector

General Characteristics

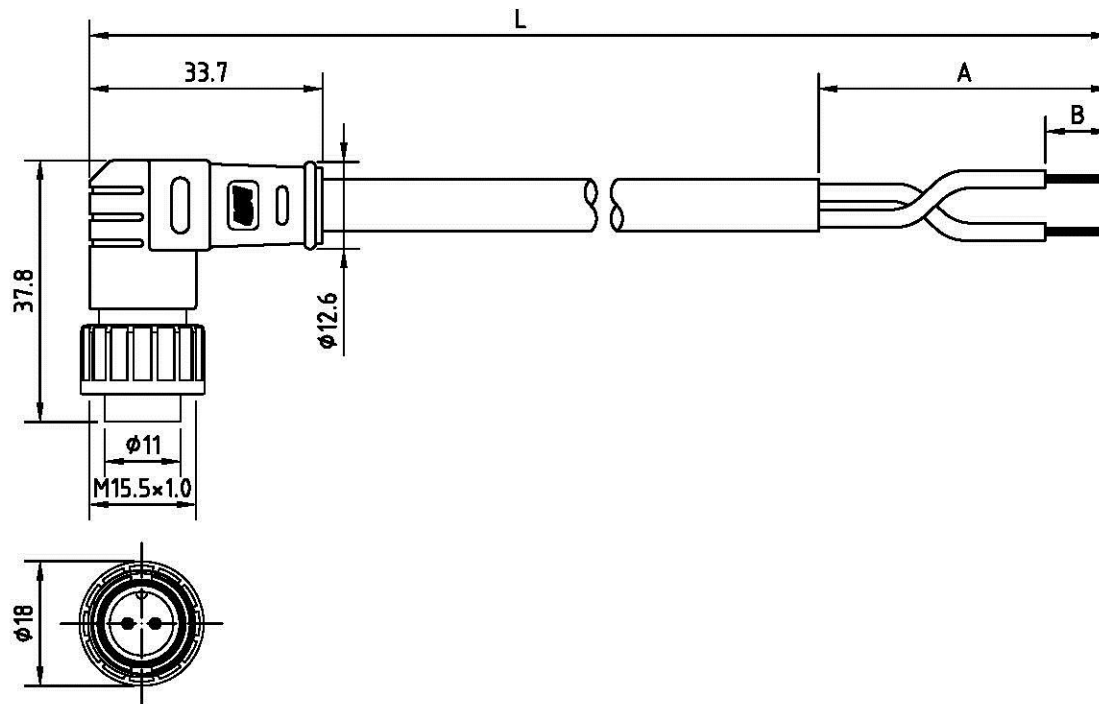
Locking system	: screw M15.5
Termination	: solder
Shell protection	: IP68
Contact resistance	: $\leq 10\text{m}\Omega$
Insulation resistance	: $\geq 10\text{M}\Omega$

Materials

Pin contact	: brass
Contact plating	: gold
Male insert	: PA
Ring nut	: PA
O-ring	: rubber

Specification of cable

Material Jacket	PVC	PUR



RoHS
LEAD FREE

CONTACT ARRANGEMENT FRONT VIEW (MALE)	2P	3P
Rated voltage	250V	
Rated current	10A	

Allconnectors

www.allconnectors.de
Tel.: 0049 711 7009503
70794 Filderstadt - Germany

info@allconnectors.de
Fax: 0049 711 7009504
Kettnerstr. 25

DATE	2014/3/17	PART NO.	UT-D231M4-1-XP
DWN	GINA	REV.	2
CHK			
UNIT	MM		

ITEM	Sensor Connector M15.5
------	------------------------