

REV.	Description	Date
1	upgrade drawing	2014/3/17

Specification of connector

General Characteristics

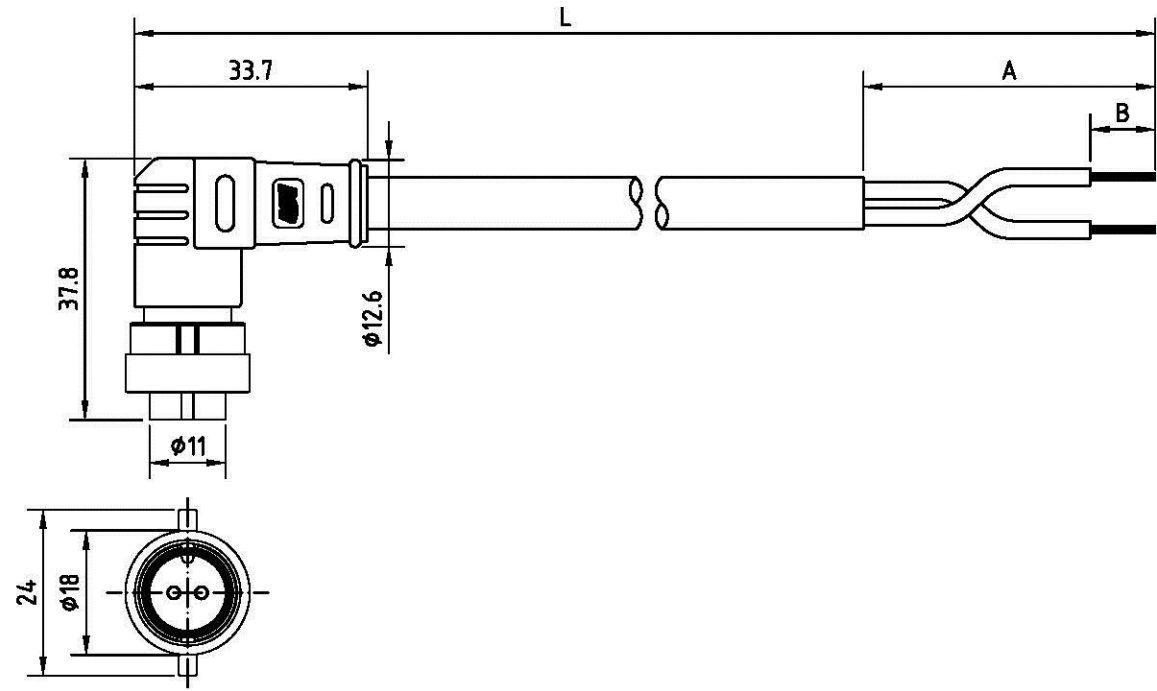
- Locking system : Push and Lock
- Termination : solder
- Shell protection : IP68
- Contact resistance : $\leq 10\text{m}\Omega$
- Insulation resistance : $\geq 10\text{M}\Omega$

Materials

- Socket contact : brass
- Contact plating : gold
- Female insert : PA
- Ring nut : PA
- O-ring : rubber

Specification of cable

Material Jacket	PVC	PUR



RoHS
LEAD FREE

CONTACT ARRANGEMENT FRONT VIEW (FEMALE)	2P	3P	4AP	4BP	5P	6P	7P	8P	10P	12P
Rated voltage	250V			250V	125V			60V		
Rated current	10A			5A			2A			

Allconnectors

www.allconnectors.de
Tel.: 0049 711 7009503
70794 Filderstadt - Germany

info@allconnectors.de
Fax: 0049 711 7009504
Kettnerstr. 25

DATE	2014/3/17	PART NO.	UT-D231F4-2S-XP
DWN	GINA	REV.	1
CHK			
UNIT	MM		

ITEM	Sensor Connector M15.5
------	------------------------