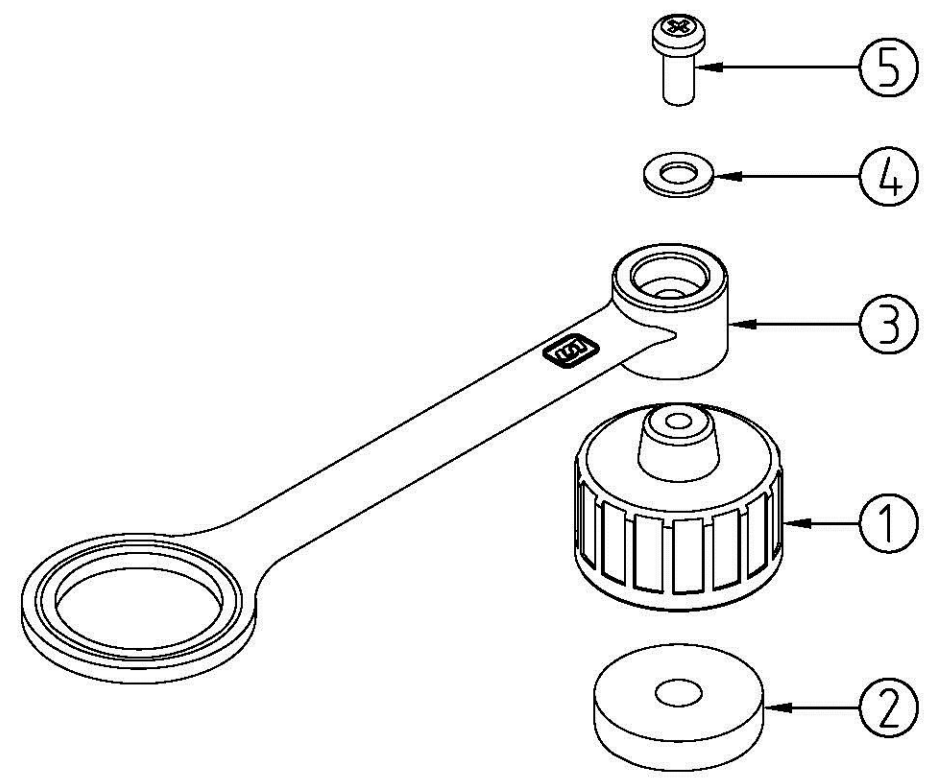
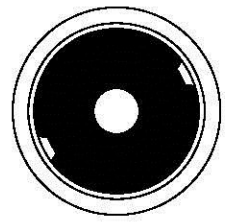
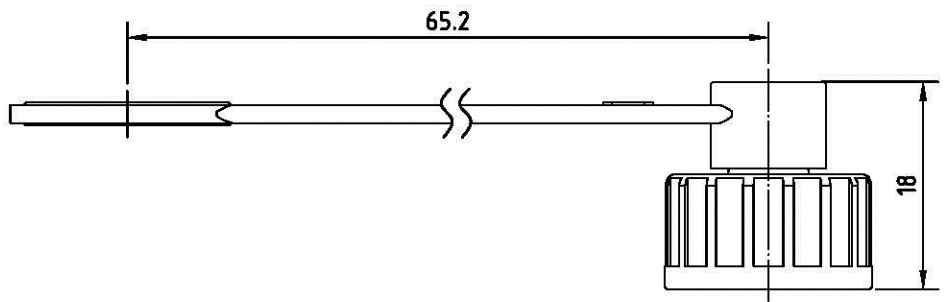
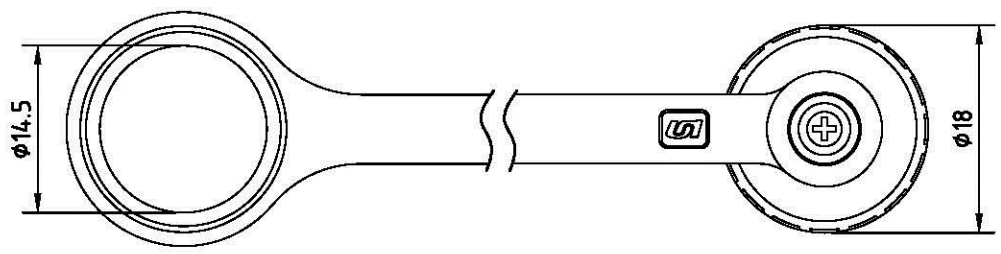


REV.	Description	Date



RoHS  
LEAD FREE  
TOLERANCE X±0.5 .X±0.3

5	Screw	SUS	
4	Washer	SUS	
3	Cable tie	PVC	
2	Pad	Rubber	
1	Body	PA	
Item	Description	Material	Treat & Remark

**All Connectors**

www.allconnectors.de  
Tel: 0049 711 4005004  
20794 Filderstadt | Germany

info@allconnectors.de  
Fax: 0049 711 4005004  
Kollernstraße 25

DATE	2014/3/1	PART NO.	UT-210C-11B
DWN	GINA	REV.	0
CHK			
UNIT	MM		

ITEM	Waterproof Cap
------	----------------