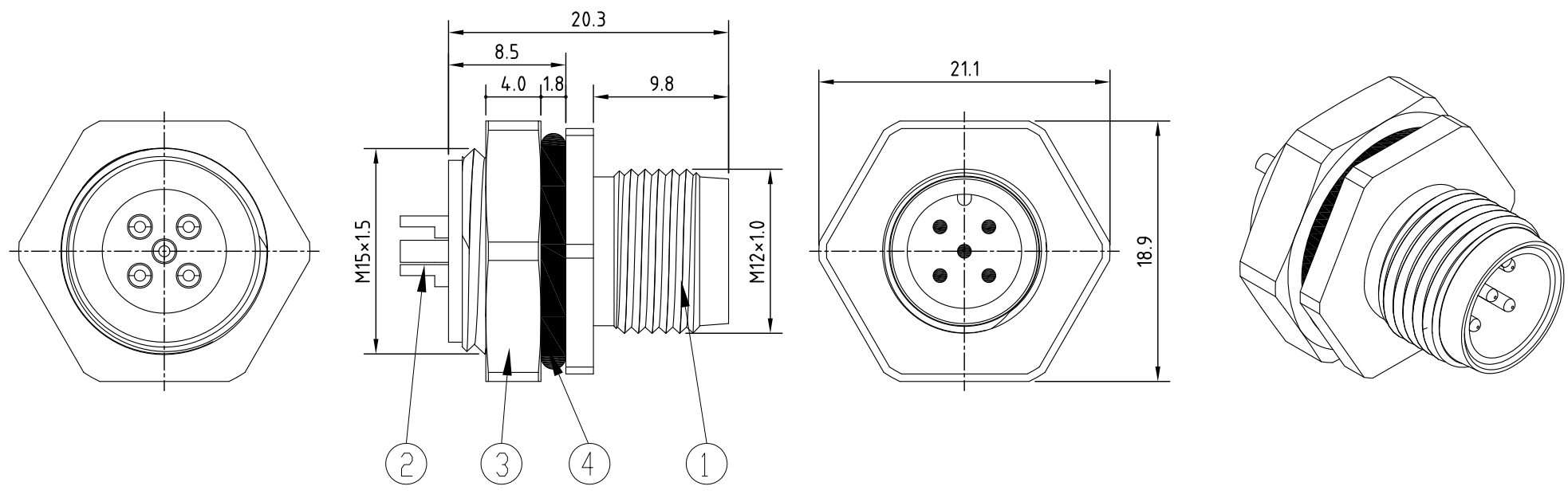


REV.	Description	Date
1	add 12P arrangement	2012/1/2



RoHS
 LEAD FREE
 TOLERANCE .X±0.25 .XX±0.10

CONTACT ARRANGEMENT FRONT VIEW (MALE)	2P	3P	4P	5P	6P	7P	8P	12P

4	O ring	Rubber	
3	Nut	PA	UL94V-0
2	Pin	Brass	Gold plated
1	Body	PA	UL94V-0
Item	Description	Material	Treat & Remark

All Connectors
 www.allconnectors.eu | info@allconnectors.eu
 Tel. +49 (0)711 / 358 110 20 | Fax +49 (0)711 / 358 110 25

DATE	1/2/2012	PART NO.	SD170F5-XP
DWN	GINA	REV.	1
CHK			
UNIT	MM		

ITEM	Sensor Connector M12
------	----------------------