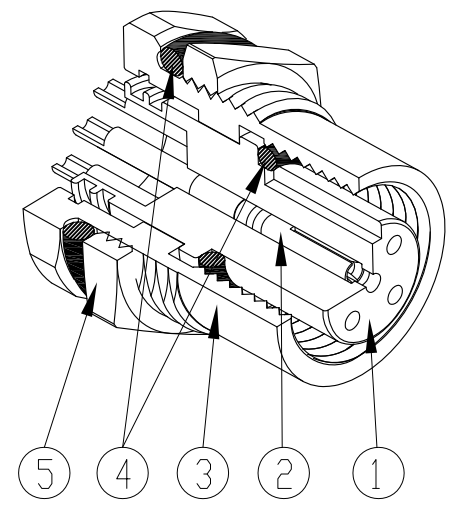
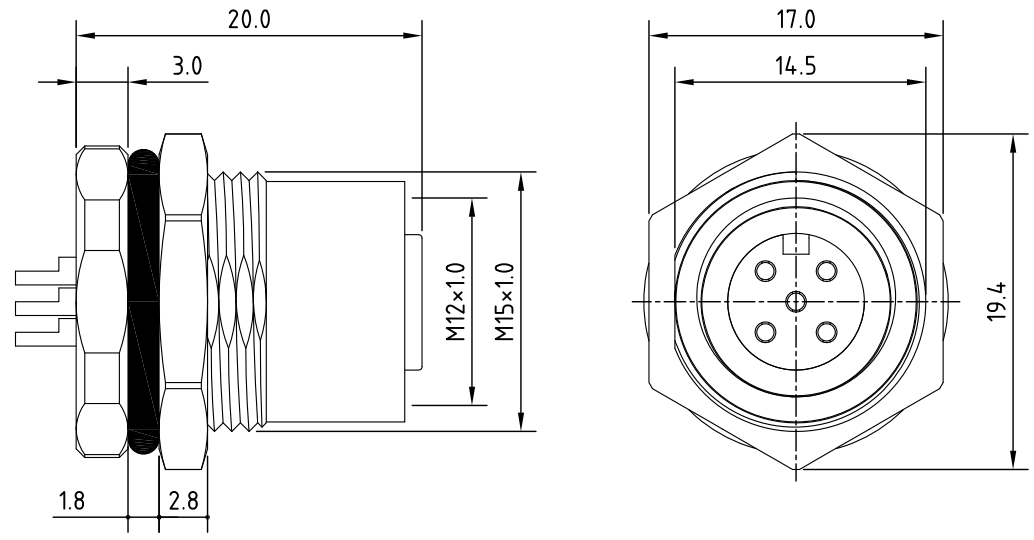
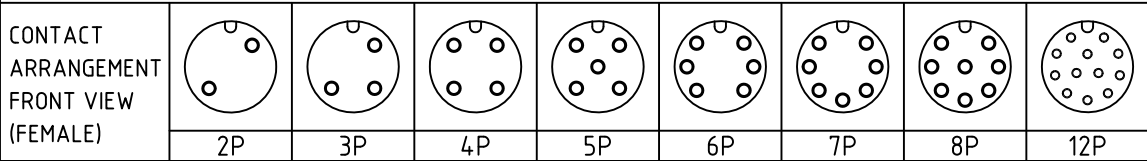


REV.	Description	Date
1	add 12P arrangement	2012/1/2



RoHS  
LEAD FREE  
TOLERANCE .X±0.25 .XX±0.10



5	Nut	Brass	Nickel plated
4	O ring	Rubber	
3	Body	Brass	Nickel plated
2	Pin	Brass	Gold plated
1	Housing	PA	UL94V-0
Item	Description	Material	Treat & Remark

**All Connectors**

www.allconnectors.eu | info@allconnectors.eu  
Tel. +49 (0)711 / 358 110 20 | Fax +49 (0)711 / 358 110 25

DATE	4/23/2012	PART NO.	SD168M1-XP
DWN	GINA	REV.	1
CHK			
UNIT	MM		

ITEM	Sensor Connector M12
------	----------------------