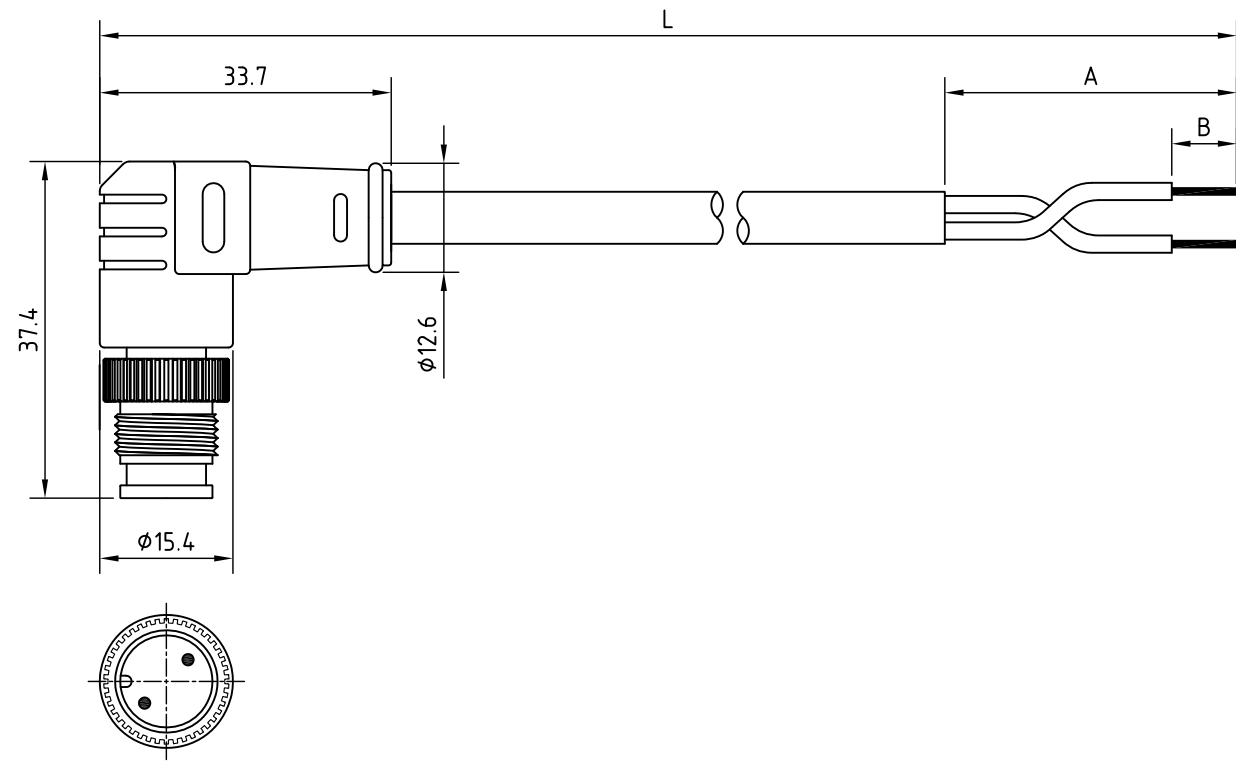


REV.	Description	Date
1	add 12P arrangement	2012/1/2



### Specification of connector

General Characteristics  
 Locking system : screw M12  
 Termination : solder  
 Shell protection : IP68  
 Upper temperature : 105°C  
 Lower temperature : -40°C

Electrical Characteristics  
 Rated voltage : 250V  
 Rated current : 5A(2~5PIN)  
                   : 2A(6~8PIN)  
                   : 1A(12PIN)  
 Contact resistance :  $\leq 10m\Omega$   
 Insulation resistance :  $>10M\Omega$

Materials  
 Pin contact : brass  
 Contact plating : gold  
 Male insert : PA  
 Ring nut : PA

### Specification of cable

Material Jacket	PVC	PUR

RoHS  
 LEAD FREE

CONTACT'' ARRANGEMENT FRONT VIEW (MALE)	2P	3P	4P	5P	6P	7P	8P	12P

**All Connectors**  
 www.allconnectors.eu | info@allconnectors.eu  
 Tel. +49 (0)711 / 358 110 20 | Fax +49 (0)711 / 358 110 25

DATE	1/2/2012	PART NO.	D231P-1M-XP
DWN	GINA	REV.	1
CHK			
UNIT	MM		

ITEM	Sensor Connector M12
------	----------------------