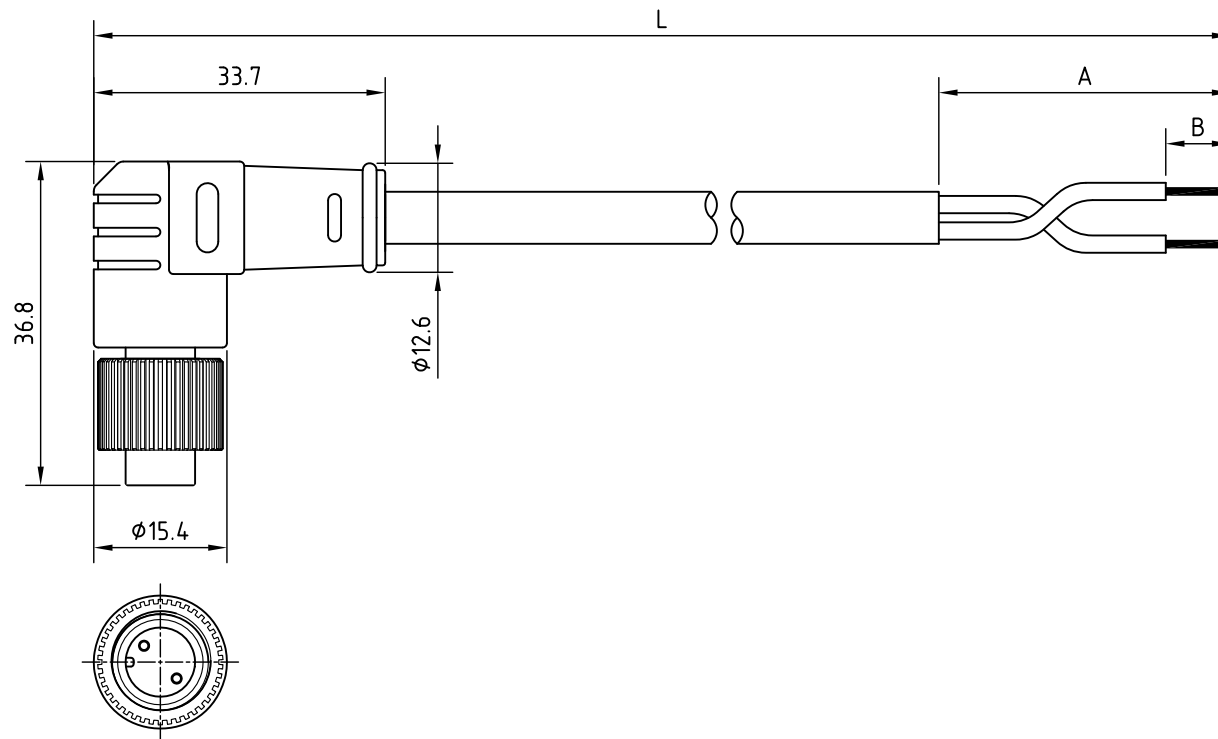


REV.	Description	Date
1	add 12P arrangement	2011/1/2



Specification of connector

General Characteristics

- Locking system : screw M12
- Termination : solder
- Shell protection : IP68
- Upper temperature : 105°C
- Lower temperature : -40°C

Electrical Characteristics

- Rated voltage : 250V
- Rated current : 5A(2~5PIN)
: 2A(6~8PIN)
: 1A(12PIN)
- Contact resistance : $\leq 10m\Omega$
- Insulation resistance : $>10M\Omega$

Materials

- Socket contact : brass
- Contact plating : gold
- Female insert : PA
- Ring nut : chromium plated
- O-ring : rubber

Specification of cable

Material Jacket	PVC	PUR

RoHS
LEAD FREE

CONTACT ARRANGEMENT FRONT VIEW (FEMALE)	2P	3P	4P	5P	6P	7P	8P	12P

All Connectors
www.allconnectors.eu | info@allconnectors.eu
 Tel. +49 (0)711 / 358 110 20 | Fax +49 (0)711 / 358 110 25

DATE	1/2/2012	PART NO.	D231M-1F-XP
DWN	GINA	REV.	1
CHK			
UNIT	MM		

ITEM	Sensor Connector M12
------	----------------------