

Specification of connector

General Characteristics

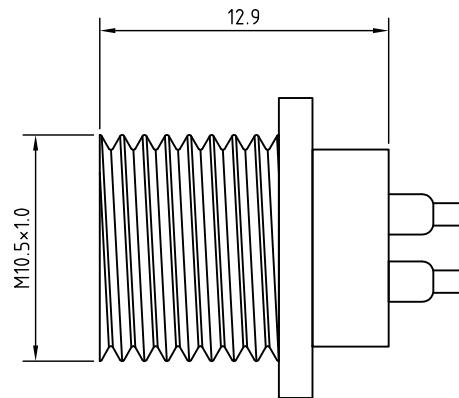
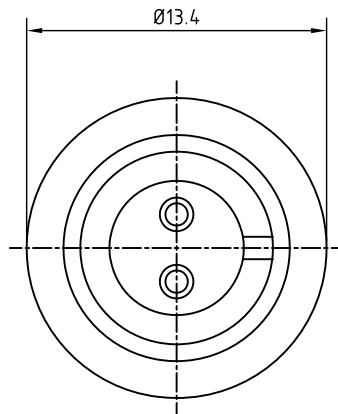
Locking system	: screw M10.5
Termination	: lathe/crimp, moulded
Shell protection	: IP67
Upper temperature	: 105°C
Lower temperature	: -40°C

Electronical Characteristics

Rated voltage	: 250V
Rated current	: 2A
Contact resistance	: $\leq 10\text{m}\Omega$
Insulation resistance	: $>10\text{M}\Omega$

Materials

Pin contact	: brass
Contact plating	: gold
Male insert	: PA(nylon)



RoHS
LEAD FREE
TOLERANCE .X \pm 0.25 .XX \pm 0.10

CONTACT ARRANGEMENT FRONT VIEW		
SD215M1-XP	2P	3P

All Connectors

www.allconnectors.eu | info@allconnectors.eu
Tel. +49 (0)711 / 358 110 20 | Fax +49 (0)711 / 358 110 25

DATE	10-21-2010	PART NO.	SD215M1
DWN	GINA	REV.	0
CHK	KATY		
ITEM	SENSOR CONNECTOR M105	UNIT	MM

NOTE: REV.0 NEW